

nodeCUE-led4-w



Constant Voltage 4-channel LED Driver with Wi-Fi Communication



Main Features

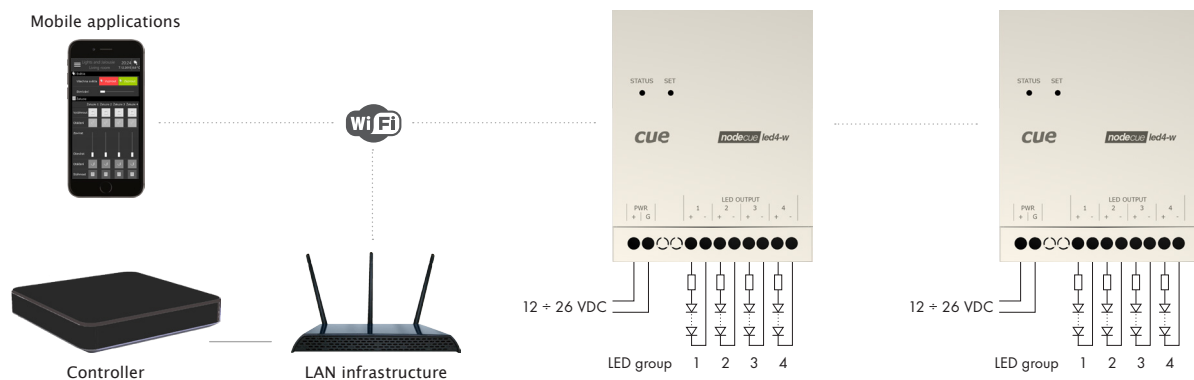
- 4x constant voltage LED output
- Max . 26 VDC / 3 A for each output
- Wi-Fi 802.11 b/g/n communication
- Easy Wi-Fi provisioning
- Fully compatible with touch panels and controllers
- Fully integrated to Cue Visual Composer programming
- API for custom applications available
- Power supply 12 ÷ 26 VDC
- Plastic enclosure for wall or DIN rail installation

Description

The nodeCUE-led4-w is a constant voltage LED driver with four independently controlled PWM outputs. It is targeted at networked standalone installations that require dimmable, high-power full-colour static or dynamic LED lighting.

The interface uses SmartConfig technology - a one-step and one-time process to connect a unit to the home wireless network. SmartConfig leverages the standard mechanisms present in Wi-Fi to configure an association information on the fly, regardless of whether the user-interface is available. In this process a Wi-Fi enabled device such as a smartphone, tablet or a laptop is used to send the association information to the unit. Additionally, it can be used to associate multiple devices to the same AP simultaneously. The configuration process is secured with AES-128 encryption, and the SSID and KEY length are supported up to 32 bytes. And furthermore, the device used to configure (smartphone, tablet, or PC) stays connected to the user's home network during the configuration process (as opposed to other methods that require disconnection).

Application Diagram



Box Contents

- Interface nodeCUE-led4-w
- Data Sheet
- Cue System Connector Wiring Sheet
- Declaration of Conformity

Order Information

Product code CS0476

nodeCUE-led4-w



Constant Voltage 4-channel LED Driver with Wi-Fi Communication

Specifications

4x LED output

- Max. voltage 26 VDC
- Max. load 3 A / channel
- PWM 200 Hz
- Terminals 1.5 mm²

Status indicator

Set button

Network

Wireless IEEE 802.11b/g/n Wi-Fi 2.4 GHz

Power supply

- 12 ÷ 26 VDC
- Terminals 1.5 mm²

Physical

- Compact plastic enclosure
- 4 modules width, DIN rail compatible with EN 50022
- Any flat surface mounting

Dimensions 71.1 x 90 x 32.2 mm / 2.8" x 3.5" x 1.3"

Weight 0.1 kg / 0.2 lb

Environment conditions

- Operating temperature 10° to 40° C
- Storage temperature 0° to 60° C
- Relative humidity 10% to 90% non-condensing

Mechanical

