

# smartCUE-three-wifi

Wireless IP Interface



## Description

Ultra-compact interface smartCUE-three-wifi allows to control devices from a controller or touch panel over an wireless network. Using this unit the number of control ports can be cost-effectively expanded. Additionally it simplifies control of equipment located at an extended distances from a controller.

## Specifications

### Control ports

- 1x Bi-directional serial RS-232  
Baud rate from 300 to 460 800 bps  
5-pin connector
- 4x IR/Serial output  
Baud rate for serial mode from 1 200 to 115 200 bps  
8-pin connector
- 8x Digital I/O  
Digital input  
Digital open collector output max. 80 mA  
2x 5-pin connector with common ground
- 4x General I/O  
Analog input 0 – 20 V  
Digital open collector output max. 80 mA  
8-pin connector

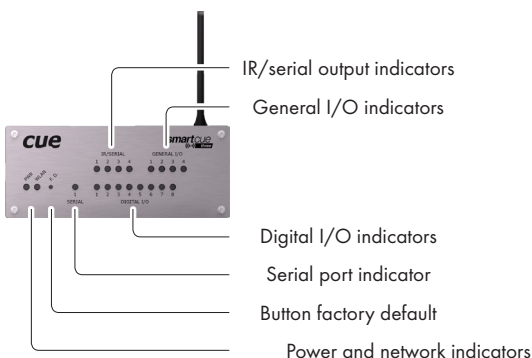
### LED indicators

Power, WLAN activity, Control ports

### Button

Set factory default

## Front Panel



## Order Information

Product code CS0445

## Main Features

- Wireless network, IEEE 802.11b/g Wi-Fi 2.4 GHz
- Control ports - bi-directional serial, IR/serial output, digital I/O and general I/O
- Power supply 12 to 24 VDC
- Front panel indicators for each control port
- Web server and Admin Web pages for setup
- Fully compatible with CUE's mobile solution, touch panels and controllers
- Fully compatible with Cue Visual Composer software
- Unified aluminium enclosure

## Applications

- Commercial single-room applications
- Commercial huge multi-room and multi-floor distributed systems
- Home theater applications
- Complete residential home automation

### Software technologies

Integrated web server for setup

### Communication

Wireless network, IEEE 802.11b/g Wi-Fi 2.4 GHz

### Power supply

12 to 24 VDC, max. 3 W

Power jack connector

### Physical

Aluminium enclosure

Dimensions 105 x 43.5 x 92 mm / 4.14" x 1.7" x 3.6"

1/4 rack space, 1 U

Weight 0.3 kg / 0.7 lb

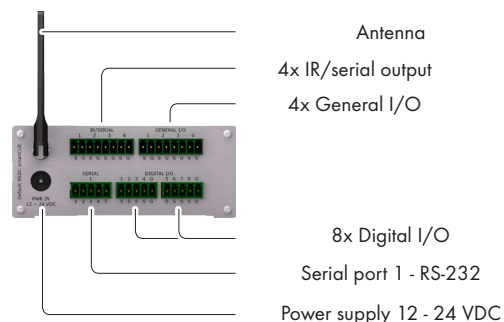
### Environment conditions

Operating temperature 10° to 40° C

Storage temperature 0° to 60° C

Relative humidity 10% to 90% non-condensing

## Rear Panel



## Box Contents

Interface smartCUE-three-wifi

Wi-Fi antenna

Connector set

2x IR Adapter /i

Power supply

CE Declaration, RoHS Declaration

Data Sheet, Cue System Connector Wiring Sheet