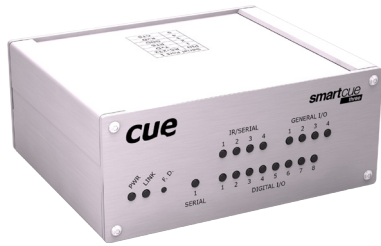


smartCUE-three

Wired IP Interface



Main Features

- Wired 10/100 BaseT LAN communication
- Control ports - bi-directional serial, IR/serial output, digital I/O and general I/O
- Power over Ethernet (PoE) power supply
- Front panel indicators for each control port
- Web server and Admin Web pages for setup
- Fully compatible with CUE's mobile solution, touch panels and controllers
- Fully compatible with Cue Visual Composer software
- Unified aluminium enclosure

Description

Ultra-compact interface smartCUE-three allows to control devices from a controller or touch panel over an Ethernet network. Using this unit the number of control ports can be cost-effectively expanded. Additionally it simplifies control of equipment located at an extended distances from a controller.

Specifications

Control ports

- 1x Bi-directional serial RS-232
 - Baud rate from 300 to 460 800 bps
 - 5-pin connector
- 4x IR/Serial output
 - Baud rate for serial mode from 1 200 to 115 200 bps
 - 8-pin connector
- 8x Digital I/O
 - Digital input
 - Digital open collector output max. 80 mA
 - 2x 5-pin connector with common ground
- 4x General I/O
 - Analog input 0 – 20 V
 - Digital open collector output max. 80 mA
 - 8-pin connector

LED indicators

Power, Ethernet link, Control ports

Button

Set factory default

Software technologies

Applications

- Commercial single-room applications
- Commercial huge multi-room and multi-floor distributed systems
- Home theater applications
- Complete residential home automation

Integrated web server for setup
Communication

Wired 10/100 BaseT Ethernet , RJ-45 connector

Power supply

Power over Ethernet (PoE)
IEEE 802.3af Class 1 compatible

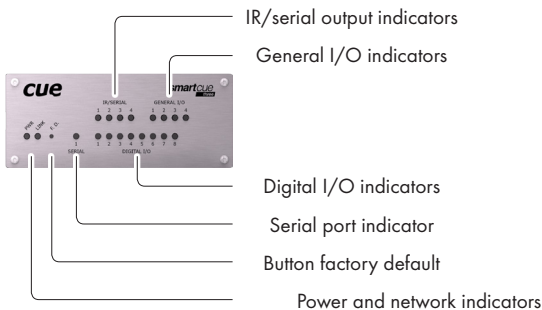
Physical

Aluminium enclosure
Dimensions 105 x 43.5 x 92 mm / 4.14" x 1.7" x 3.6"
1/4 rack space, 1 U
Weight 0.3 kg / 0.7 lb

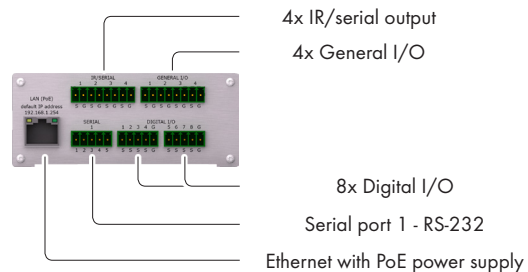
Environment conditions

Operating temperature 10° to 40° C
Storage temperature 0° to 60° C
Relative humidity 10% to 90% non-condensing

Front Panel



Rear Panel



Order Information

Product code CS0444

Box Contents

- Interface smartCUE-three
- Connector set
- 2x IR Adapter /i
- Ethernet cable straight-through
- CE Declaration, RoHS Declaration
- Data Sheet, Cue System Connector Wiring Sheet