

smartCUE-two-wifi

Wireless IP Interface



Description

Ultra-compact interface smartCUE-two-wifi allows to control devices from a controller or touch panel over an wireless network. Using this unit the number of control ports can be cost-effectively expanded. Additionally it simplifies control of equipment located at an extended distances from a controller.

Specifications

Control ports

- 1x Bi-directional serial RS-232
 - Baud rate from 300 to 460 800 bps
 - 5-pin connector
- 8x Digital I/O
 - Digital input
 - Digital open collector output max. 80 mA
 - 2x 5-pin connector with common ground
- 6x Relay
 - NC-C-NO 24 V / 0.5 A
 - 3x 5-pin connector

LED indicators

Power, WLAN activity, Control ports

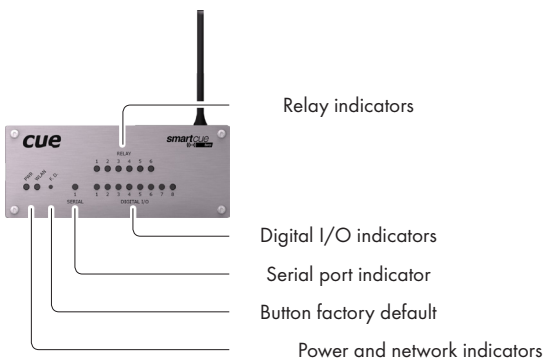
Button

Set factory default

Software technologies

Integrated web server for setup

Front Panel



Order Information

Product code CS0443

Main Features

- Wireless network, IEEE 802.11b/g Wi-Fi 2.4 GHz
- Control ports - bi-directional serial, digital I/O and relay
- Power supply 12 to 24 VDC
- Front panel indicators for each control port
- Web server and Admin Web pages for setup
- Fully compatible with CUE's mobile solution, touch panels and controllers
- Fully compatible with Cue Visual Composer software
- Unified aluminium enclosure

Applications

- Commercial single-room applications
- Commercial huge multi-room and multi-floor distributed systems
- Home theater applications
- Complete residential home automation

Communication

Wireless network, IEEE 802.11b/g Wi-Fi 2.4 GHz

Power supply

12 to 24 VDC, max. 3 W
Power jack connector

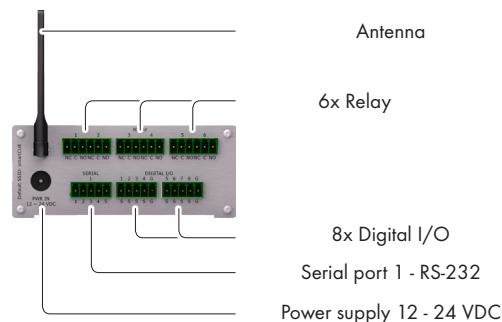
Physical

Aluminium enclosure
Dimensions 105 x 43.5 x 92 mm / 4.14" x 1.7" x 3.6"
1/4 rack space, 1 U
Weight 0.3 kg / 0.7 lb

Environment conditions

Operating temperature 10° to 40° C
Storage temperature 0° to 60° C
Relative humidity 10% to 90% non-condensing

Rear Panel



Box Contents

Interface smartCUE-two-wifi
Wi-Fi antenna
Connector set
Power supply
CE Declaration, RoHS Declaration
Data Sheet, Cue System Connector Wiring Sheet