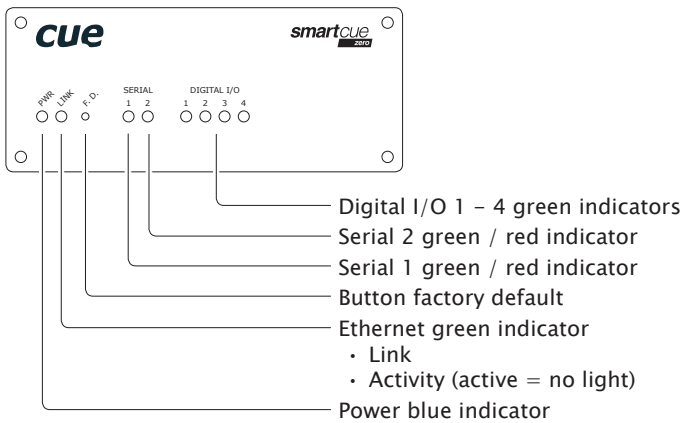
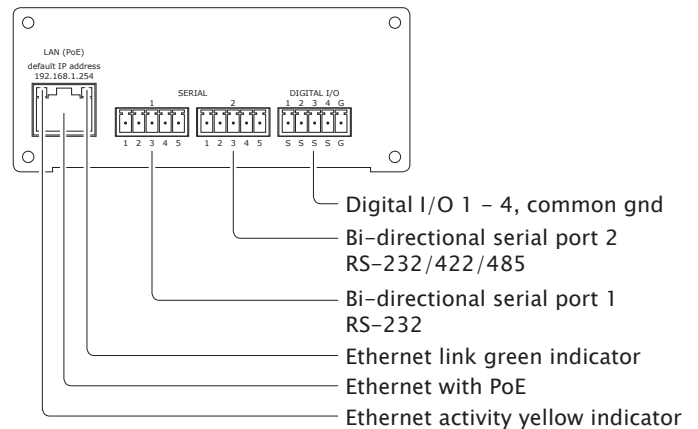


## Front Panel

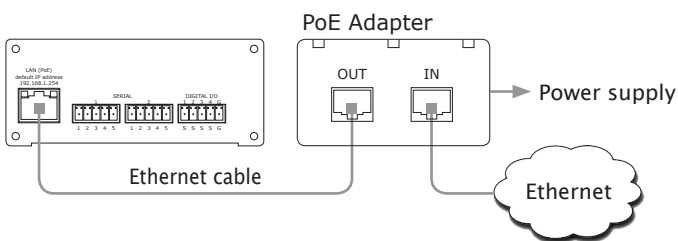


## Rear Panel

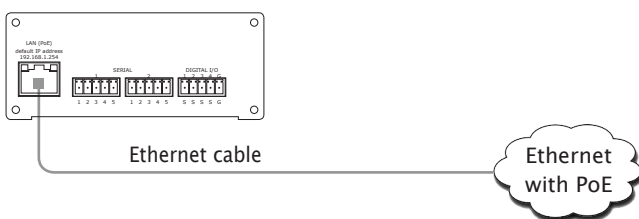


## Connection

### Ethernet without PoE Infrastructure

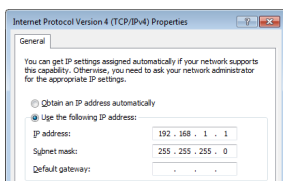


### Ethernet with PoE Infrastructure



## Setup the Unit

1. Set PC Local Area Connection (Ethernet network adapter) to fix IP address 192.168.1.x (x = 1 to 253) and Subnet mask to 255.255.255.0.



2. Connect the interface to PC. Use crossover cable for direct connection between PC and smartCUE if your PC ethernet adapter doesn't support autosense.
3. Use standard Internet browser and fill address line with <http://192.168.1.254>.
4. Provide setup using Admin Web.

## Button F.D.

Asserting during bootup for at least 7 seconds resets the configuration back to factory default.

- IP address: 192.168.1.254
- IP Mask: 255.255.255.0
- Default gateway: 192.168.1.1
- Password: Empty (no input required)

## Control Ports

### SERIAL 1

Pin	RS-232
1	TxD
2	RTS
3	GND
4	RxD
5	CTS

### SERIAL 2

Pin	RS-232	RS-422	RS-485
1	TxD	Tx A+	A+
2	RTS	Tx B-	B-
3	GND	GND	GND
4	RxD	Rx A+	N.C.
5	CTS	Rx B-	N.C.

### DIGITAL I/O

Pin	Description
1 S	I/O 1 - signal
2 S	I/O 2 - signal
3 S	I/O 3 - signal
4 S	I/O 4 - signal
G	Common ground

## User Manual

Complete user manual can be downloaded here:  
<http://www.cuesystem.com/interfaces.aspx>