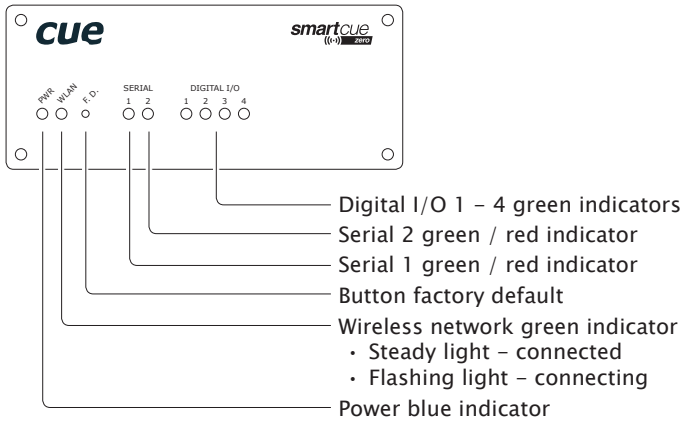


smartCUE-zero-wifi

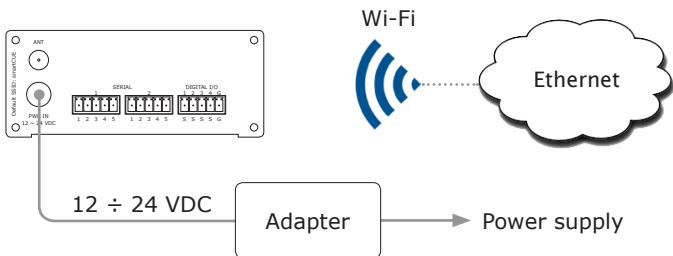
CS0423



Front Panel



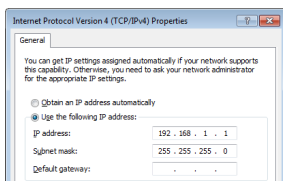
Connection



Setup the Unit

The unit uses Ad-Hoc wireless mode for initial setup. To get access to the unit provide following steps

1. Set manually your PC wireless adapter to fix IP address 192.168.1.x (x = 1 to 253) and Subnet mask to 255.255.255.0.



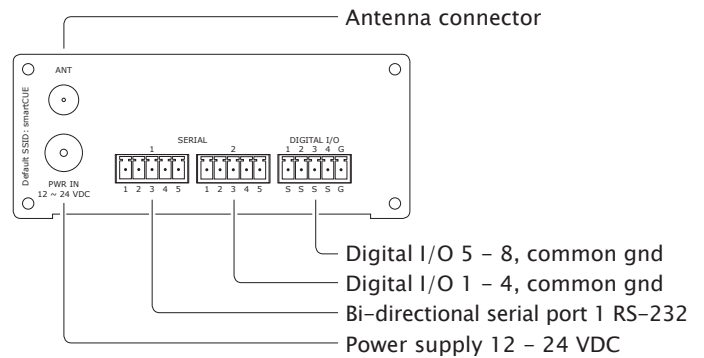
2. All other PC network adapters which are manually configured as static IP address 192.168.1.x must be disabled.
3. Connect your PC to wireless network Name: smartCUE
4. Use standard Internet browser and fill address line with <http://192.168.1.254>.
5. Provide setup using Admin Web. Use section Configuration / Network and Configuration / WiFi to set smartCUE connection to target network. Don't forget to select Network type: Infrastructure.

Button F.D.

Asserting during bootup for at least 7 seconds resets the configuration back to factory default.

- IP address: 192.168.1.254
- IP Mask: 255.255.255.0
- Default gateway: 192.168.1.1
- Wireless network type: Ad-Hoc
- SSID: smartCUE
- Channel: 9
- Security type: none
- Password: Empty (no input required)

Rear Panel



Control Ports

SERIAL 1

Pin	RS-232
1	TxD
2	RTS
3	GND
4	RxD
5	CTS

SERIAL 2

Pin	RS-232	RS-422	RS-485
1	TxD	Tx A+	A+
2	RTS	Tx B-	B-
3	GND	GND	GND
4	RxD	Rx A+	N.C.
5	CTS	Rx B-	N.C.

DIGITAL I/O

Pin	Description
1 S	I/O 1 - signal
2 S	I/O 2 - signal
3 S	I/O 3 - signal
4 S	I/O 4 - signal
G	Common ground

User Manual

Complete user manual can be downloaded here:

<http://www.cuesystem.com/interfaces.aspx>