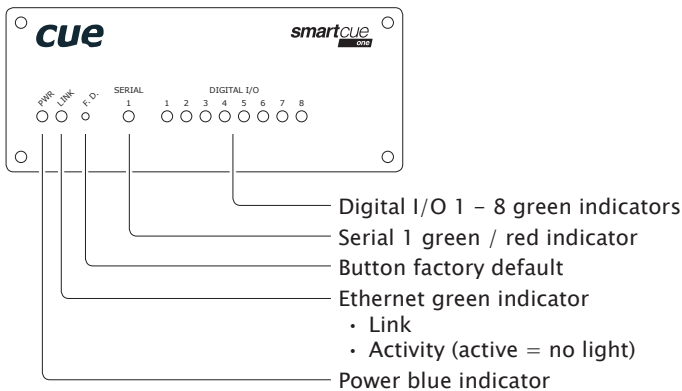
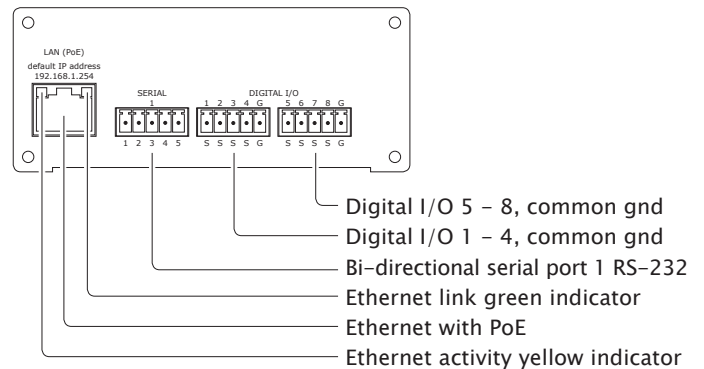


Front Panel

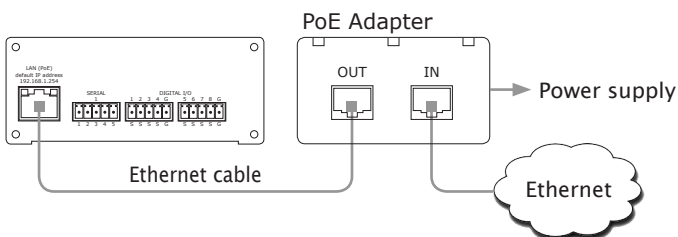


Rear Panel

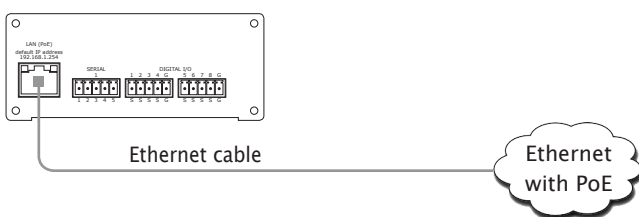


Connection

Ethernet without PoE Infrastructure



Ethernet with PoE Infrastructure



Control Ports

SERIAL 1 - RS-232

Pin	Description
1	TxD
2	RTS
3	GND
4	RxD
5	CTS

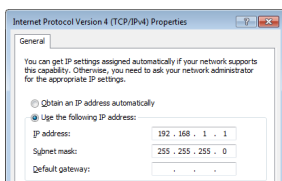
DIGITAL I/O

Pin	Description
1 S	I/O 1 - signal
2 S	I/O 2 - signal
3 S	I/O 3 - signal
4 S	I/O 4 - signal
G	Common ground

Pin	Description
5 S	I/O 5 - signal
6 S	I/O 6 - signal
7 S	I/O 7 - signal
8 S	I/O 8 - signal
G	Common ground

Setup the Unit

- Set PC Local Area Connection (Ethernet network adapter) to fix IP address 192.168.1.x (x = 1 to 253) and Subnet mask to 255.255.255.0.



- Connect the interface to PC. Use crossover cable for direct connection between PC and smartCUE if your PC ethernet adapter doesn't support autosense.
- Use standard Internet browser and fill address line with <http://192.168.1.254>.
- Provide setup using Admin Web.

Button F.D.

Asserting during bootup for at least 7 seconds resets the configuration back to factory default.

- IP address: 192.168.1.254
- IP Mask: 255.255.255.0
- Default gateway: 192.168.1.1
- Password: Empty (no input required)

User Manual

Complete user manual can be downloaded here:
<http://www.cuesystem.com/interfaces.aspx>