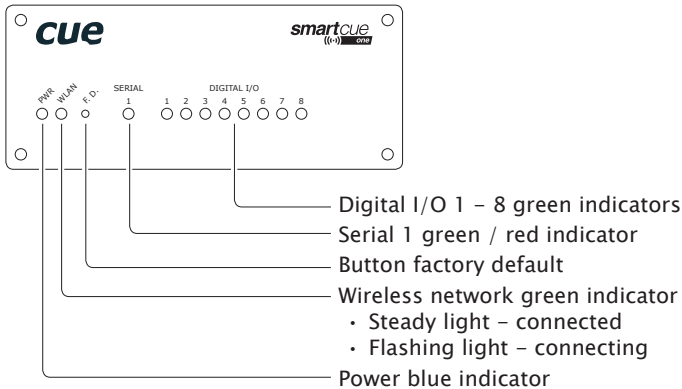


smartCUE-one-wifi

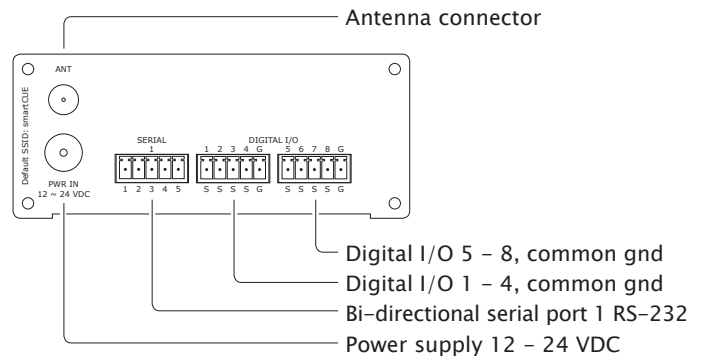
CS0441



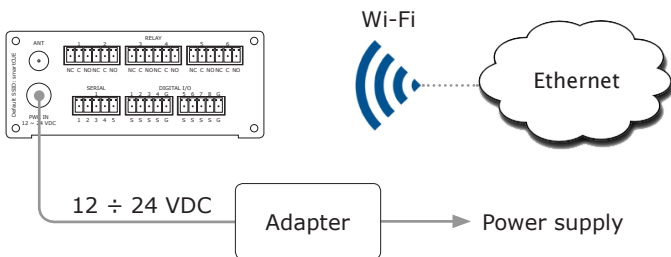
Front Panel



Rear Panel



Connection



Control Ports

SERIAL 1 - RS-232

Pin	Description
1	TxD
2	RTS
3	GND
4	RxD
5	CTS

DIGITAL I/O

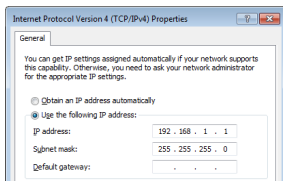
Pin	Description
1 S	I/O 1 - signal
2 S	I/O 2 - signal
3 S	I/O 3 - signal
4 S	I/O 4 - signal
G	Common ground

Pin	Description
5 S	I/O 5 - signal
6 S	I/O 6 - signal
7 S	I/O 7 - signal
8 S	I/O 8 - signal
G	Common ground

Setup the Unit

The unit uses Ad-Hoc wireless mode for initial setup. To get access to the unit provide following steps

1. Set manually your PC wireless adapter to fix IP address 192.168.1.x (x = 1 to 253) and Subnet mask to 255.255.255.0.



2. All other PC network adapters which are manually configured as static IP address 192.168.1.x must be disabled.
3. Connect your PC to wireless network Name: smartCUE
4. Use standard Internet browser and fill address line with <http://192.168.1.254>.
5. Provide setup using Admin Web. Use section Configuration / Network and Configuration / WiFi to set smartCUE connection to target network. Don't forget to select Network type: Infrastructure.

Button F.D.

Asserting during bootup for at least 7 seconds resets the configuration back to factory default.

- IP address: 192.168.1.254
- IP Mask: 255.255.255.0
- Default gateway: 192.168.1.1
- Wireless network type: Ad-Hoc
- SSID: smartCUE
- Channel: 9
- Security type: none
- Password: Empty (no input required)

User Manual

Complete user manual can be downloaded here:
<http://www.cuesystem.com/interfaces.aspx>