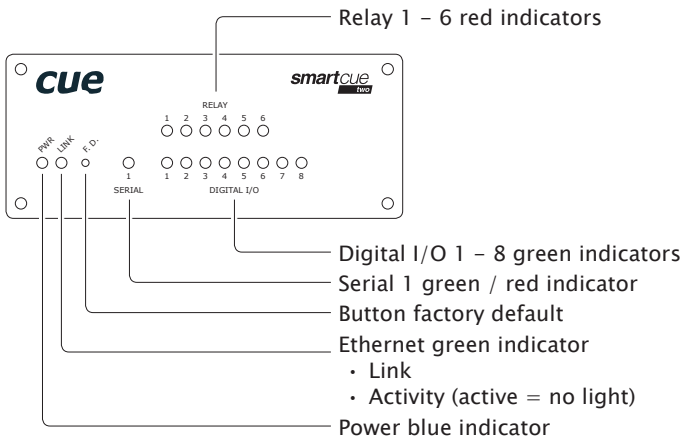
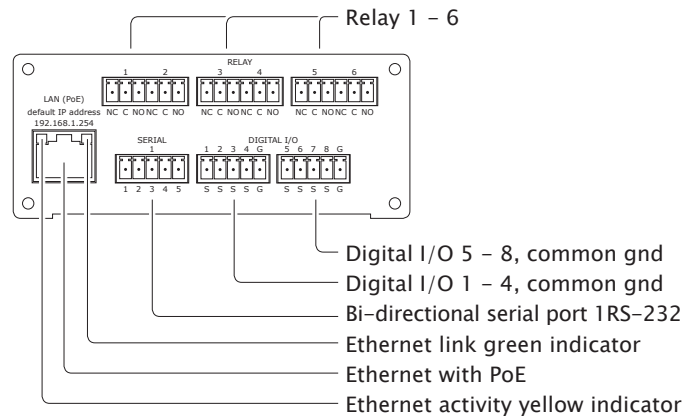


Front Panel

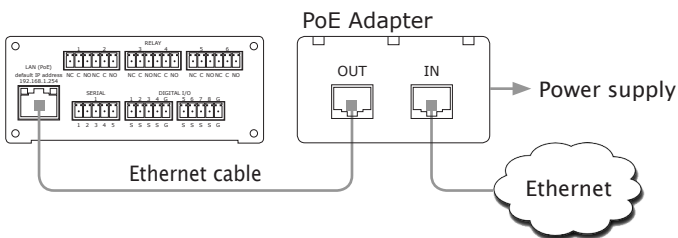


Rear Panel

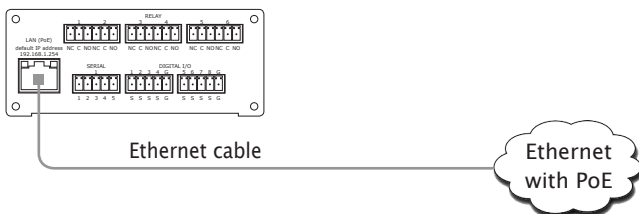


Connection

Ethernet without PoE Infrastructure

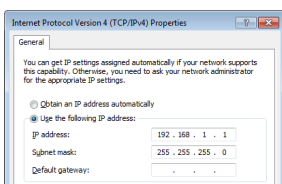


Ethernet with PoE Infrastructure



Setup the Unit

1. Set PC Local Area Connection (Ethernet network adapter) to fix IP address 192.168.1.x (x = 1 to 253) and Subnet mask to 255.255.255.0.



2. Connect the interface to PC. Use crossover cable for direct connection between PC and smartCUE if your PC ethernet adapter doesn't support autosense.
3. Use standard Internet browser and fill address line with <http://192.168.1.254>.
4. Provide setup using Admin Web.

Button F.D.

Asserting during bootup for at least 7 seconds resets the configuration back to factory default.

- IP address: 192.168.1.254
- IP Mask: 255.255.255.0
- Default gateway: 192.168.1.1
- Password: Empty (no input required)

Control Ports

SERIAL 1 - RS-232

Pin	Description
1	TxD
2	RTS
3	GND
4	RxD
5	CTS

DIGITAL I/O

Pin	Description
1 S	I/O 1 - signal
2 S	I/O 2 - signal
3 S	I/O 3 - signal
4 S	I/O 4 - signal
G	Common ground

Pin	Description
5 S	I/O 5 - signal
6 S	I/O 6 - signal
7 S	I/O 7 - signal
8 S	I/O 8 - signal
G	Common ground

RELAY

	Pin	Description
1	NC	Relay 1 - contact normal close
	C	Relay 1 - common contact
	NO	Relay 1 - contact normal open
2	NC	Relay 2 - contact normal close
	C	Relay 2 - common contact
	NO	Relay 2 - contact normal open
3	NC	Relay 3 - contact normal close
	C	Relay 3 - common contact
	NO	Relay 3 - contact normal open
4	NC	Relay 4 - contact normal close
	C	Relay 4 - common contact
	NO	Relay 4 - contact normal open
5	NC	Relay 5 - contact normal close
	C	Relay 5 - common contact
	NO	Relay 5 - contact normal open
6	NC	Relay 6 - contact normal close
	C	Relay 6 - common contact
	NO	Relay 6 - contact normal open

User Manual

Complete user manual can be downloaded here:
<http://www.cuesystem.com/interfaces.aspx>