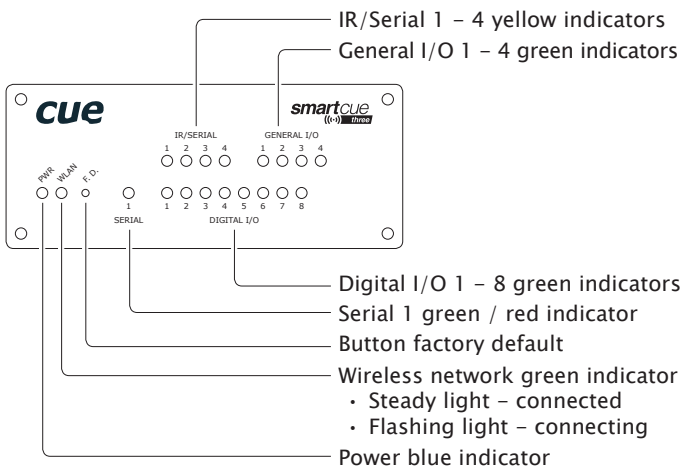


# smartCUE-three-wifi

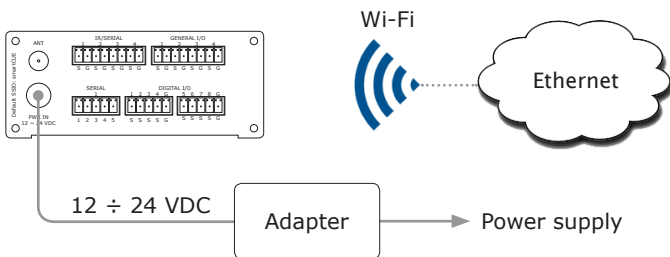
CS0445



## Front Panel



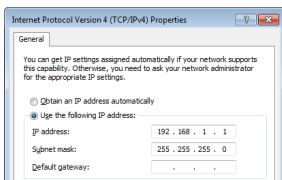
## Connection



## Setup the Unit

The unit uses Ad-Hoc wireless mode for initial setup. To get access to the unit provide following steps

1. Set manually your PC wireless adapter to fix IP address 192.168.1.x (x = 1 to 253) and Subnet mask to 255.255.255.0.



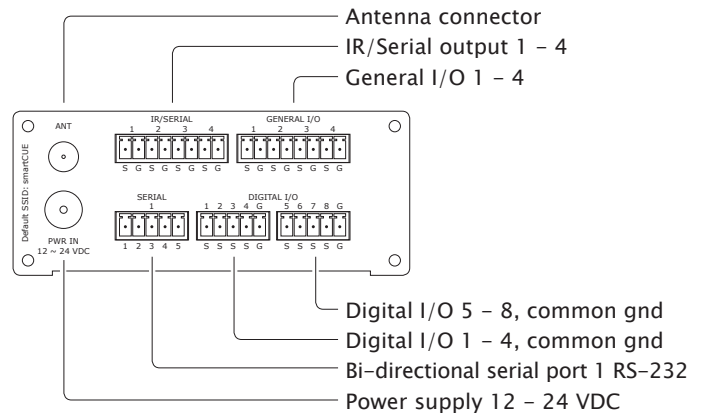
2. All other PC network adapters which are manually configured as static IP address 192.168.1.x must be disabled.
3. Connect your PC to wireless network Name: smartCUE
4. Use standard Internet browser and fill address line with http://192.168.1.254.
5. Provide setup using Admin Web. Use section Configuration / Network and Configuration / WiFi to set smartCUE connection to target network. Don't forget to select Network type: Infrastructure.

## Button F.D.

Asserting during bootup for at least 7 seconds resets the configuration back to factory default.

- IP address: 192.168.1.254
- IP Mask: 255.255.255.0
- Default gateway: 192.168.1.1
- Wireless network type: Ad-Hoc
- SSID: smartCUE
- Channel: 9
- Security type: none
- Password: Empty (no input required)

## Rear Panel



## Control Ports

### SERIAL 1 - RS-232

Pin	Description
1	TxD
2	RTS
3	GND
4	RxD
5	CTS

### DIGITAL I/O

Pin	Description
1 S	I/O 1 - signal
2 S	I/O 2 - signal
3 S	I/O 3 - signal
4 S	I/O 4 - signal
G	Common ground

Pin	Description
5 S	I/O 5 - signal
6 S	I/O 6 - signal
7 S	I/O 7 - signal
8 S	I/O 8 - signal
G	Common ground

### IR/SERIAL

Pin	Description
1 S	IR/Serial 1 - signal
1 G	Ground
2 S	IR/Serial 2 - signal
2 G	Ground
3 S	IR/Serial 3 - signal
3 G	Ground
4 S	IR/Serial 4 - signal
4 G	Ground

### GENERAL I/O

Pin	Description
1 S	I/O 1 - signal
1 G	Ground
2 S	I/O 2 - signal
2 G	Ground
3 S	I/O 3 - signal
3 G	Ground
4 S	I/O 4 - signal
4 G	Ground

## User Manual

Complete user manual can be downloaded here:  
<http://www.cuesystem.com/interfaces.aspx>