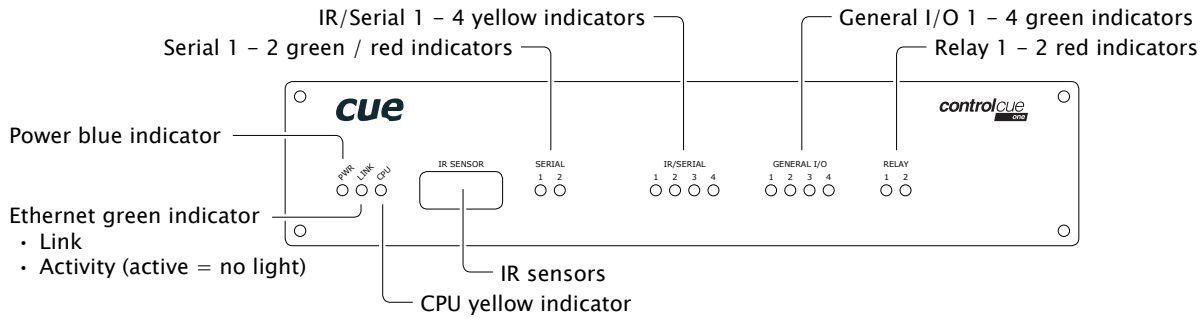
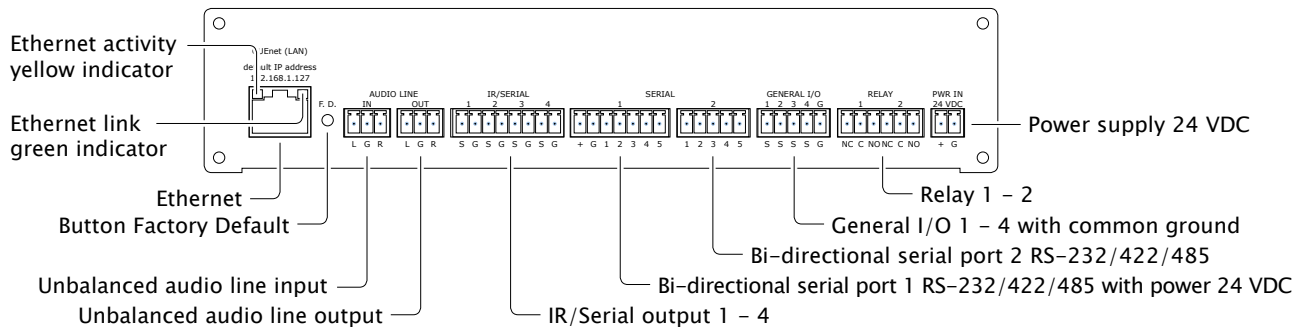


## Front Panel



## Rear Panel



## Connector Pinouts

### AUDIO LINE IN

Pin	Description
L	Left channel input
G	Ground
R	Right channel input

### AUDIO LINE OUT

Pin	Description
L	Left channel output
G	Ground
R	Right channel output

### IR/SERIAL 1 - 4

Pin	Description
1 S	IR/Serial 1 - signal
1 G	Ground
2 S	IR/Serial 2 - signal
2 G	Ground
3 S	IR/Serial 3 - signal
3 G	Ground
4 S	IR/Serial 4 - signal
4 G	Ground

### SERIAL 1

Pin	RS-232	RS-422	RS-485
+	Output +24 VDC		
G	Ground		
1	TxD	Tx A+	A+
2	RTS	Tx B-	B-
3	Ground	Ground	Ground
4	RxD	Rx A+	N.C.
5	CTS	Rx B-	N.C.

### SERIAL 2

Pin	RS-232	RS-422	RS-485
1	TxD	Tx A+	A+
2	RTS	Tx B-	B-
3	Ground	Ground	Ground
4	RxD	Rx A+	N.C.
5	CTS	Rx B-	N.C.

### GENERAL I/O 1 - 4

Pin	Description
1 S	I/O 1 - signal
2 S	I/O 2 - signal
3 S	I/O 3 - signal
4 S	I/O 4 - signal
G	Common ground

### RELAY 1 - 2

Pin	Description
1 NC	Relay 1 - normal close
1 C	Relay 1 - common
1 NO	Relay 1 - normal open
2 NC	Relay 2 - normal close
2 C	Relay 2 - common
2 NO	Relay 2 - normal open

### PWR IN

Pin	Description
+	Power +24 VDC
G	Ground

## Factory Default Setup

Press and hold button F.D. until the CPU LED indicator will flash. Then the factory default setup is as follows

- IP address: 192.168.1.127
- IP Mask: 255.255.255.0
- Password: Empty (no input required)

## User Manual

Complete user manual can be downloaded here:  
[http://www.cuesystem.com/user\\_manuals.aspx](http://www.cuesystem.com/user_manuals.aspx)