

User Manual

Power Express



cue

User Manual Power Express

UM012_04, 22.03.2007

Copyright © CUE, a.s. Praha, Czech Republic 1996 - 2006.

All rights reserved. Specifications are subject to change without prior notice.

Table of Contents

1. Introduction	4
1.1. Overview	4
1.2. Models	4
1.3. Features	5
2. System Block Diagram	6
3. Control Units	7
3.1. Converter PEC25	7
3.2. Dimmer PED108	8
3.3. Dimmer PED202	9
3.4. Dimmer PET102	10
3.5. Dimmer PET105	11
3.6. Analog Outputs Interface PEA208	12
3.7. Dimming Ballasts Interface PEF150	13
3.8. Dimming Ballasts Interface PEF200	14
3.9. Switching Unit PER610	15
3.10. Suppressor PES03	16
4. Specifications	17
4.1. General	17
4.2. Converter PEC25	17
4.3. Dimmer PED108	17
4.4. Dimmer PED202	17
4.5. Dimmer PET102	18
4.6. Dimmer PET105	18
4.7. Analog Outputs Unit PEA208	18
4.8. Dimming Ballasts Interface PEF150	19
4.9. Dimming Ballasts Interface PEF200	19
4.10. Switching Unit PER610	19
4.11. Suppressor PES03	19
5. Software and Firmware License	20
6. Warranty Conditions	21
7. CE Declaration of Conformity	22
8. FCC	23

1. Introduction

1.1. Overview

Power Express is a modular system, which controls lights, drapes, screens etc. All modules are fully compatible with ipCUE, Assistant and Assistant-S. It is suitable wherever sensitive work with light system is needed, or central control by integrated control system is necessary. Simple installation into a switchboard on DIN rail, small dimensions. The 2.5 kV isolation between power and control circuits. Easy programming of parameters on PC under Windows. Immediate information about status of the modules. Manual control by contact closure and switches (any standard types). Communication between modules via PEbus - two twisted-pair cables. Interference suppression according to EN55014 and EN55011 norm.

Usage for

- Smart houses
- Conference and versatile halls, boardrooms
- Classrooms, auditorium (with video projection)
- Entertaining halls
- Theatres, galleries, museums
- Information centers
- Exhibition stands

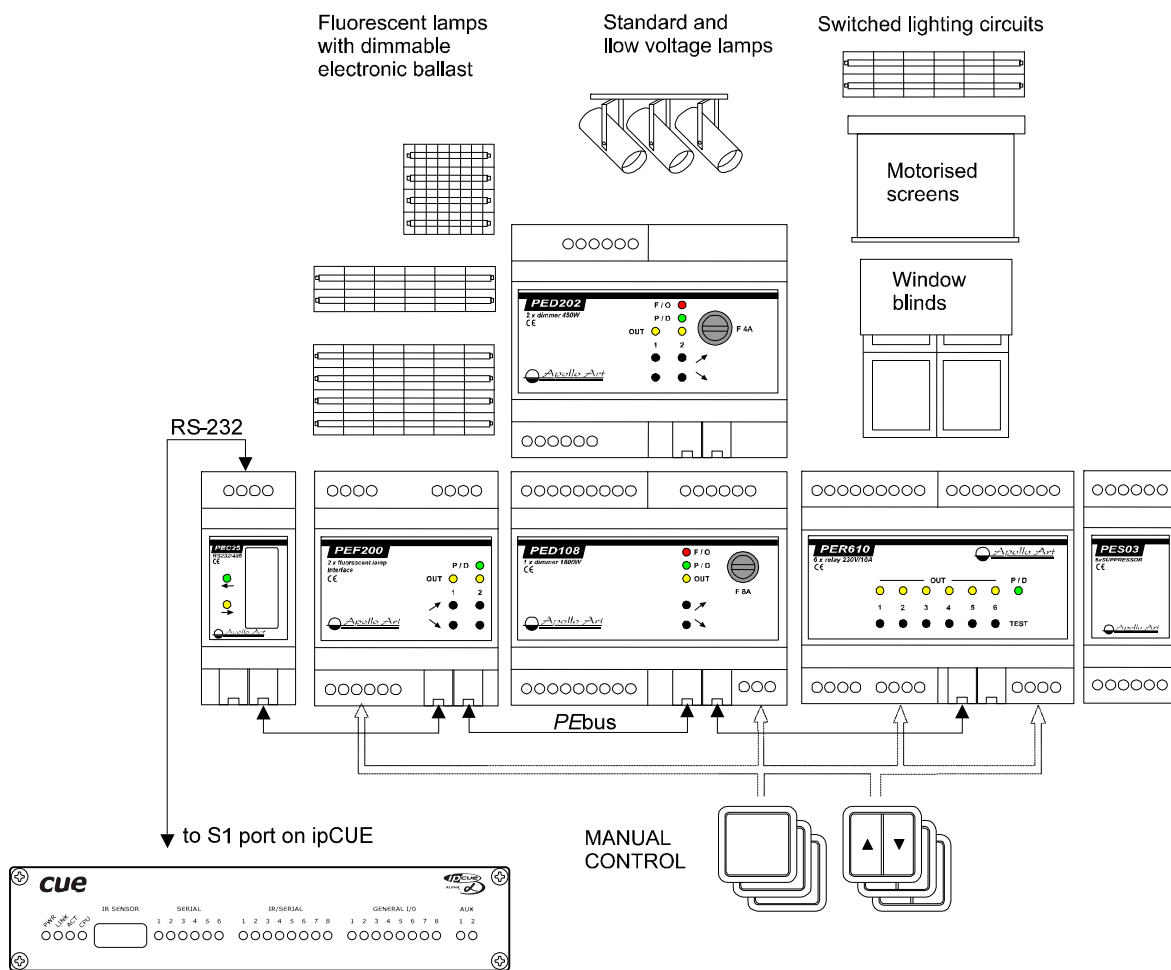
1.2. Models

Model	Product code	Description
PEC25	CS0163	Converter between RS-232 and PEbus.
PED108 (version 110VAC)	CS0164-1	One-channel dimmer. Output 1x 110 VAC, 8 A.
PED108 (version 230 VAC)	CS0164-2	One-channel dimmer. Output 1x 230 VAC, 8 A.
PED202 (version 110 VAC)	CS0165-1	Two-channel dimmer. Output 2x 110 VAC, 2.7 A (total max. 4 A).
PED202 (version 230 VAC)	CS0165-2	Two-channel dimmer. Output 2x 230 VAC, 2.7 A (total max. 4 A).
PET102 (version 110 VAC)	CS0244-1	One-channel dimmer. Output 1x 110 VAC, 2A
PET102 (version 230 VAC)	CS0244-2	One-channel dimmer. Output 1x 230 VAC, 2A
PET105 (version 110 VAC)	CS0245-1	One-channel dimmer. Output 1x 110 VAC, 5A
PET105 (version 230 VAC)	CS0245-2	One-channel dimmer. Output 1x 230 VAC, 5A
PEA208 (version 110 VAC)	CS0225-1	Two-channel analog output 0 - 10 V
PEA208 (version 230 VAC)	CS0225-2	Two-channel analog output 0 - 10 V
PEF150 (version 110 VAC)	CS0249-1	15-channel controller for DALI fluo lamp dimming ballasts.
PEF150 (version 230 VAC)	CS0249-2	15-channel controller for DALI fluo lamp dimming ballasts.
PEF200 (version 110 VAC)	CS0166-1	Two-channel controller for DSI fluo lamp dimming ballasts.
PEF200 (version 230 VAC)	CS0166-2	Two-channel controller for DSI fluo lamp dimming ballasts.
PER610 (version 110 VAC)	CS0167-1	Six-channel relay unit. Output 6x max. 230 VAC, 10 A.
PER610 (version 230 VAC)	CS0167-2	Six-channel relay unit. Output 6x max. 230 VAC, 10 A.
PES03	CS0168	Three-channel suppressor unit.

1.3. Features

- Easy installation (into switchboard on DIN rail)
- Small dimensions
- Consistent galvanic isolation between control and power circuits
- Easy setting of parameters (under Windows PC application)
- Immediate information about current status of the units
- Manual control from current push buttons and switches (great variety of designs and colors)
Communication between units and switchboards via twisted pair cable.
- Serial control from CUE controllers (port S1 on ipCUE, S9/CUEring on Assistant) via PEbus.

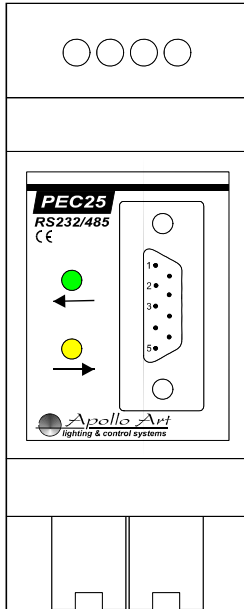
2. System Block Diagram



3. Control Units

3.1. Converter PEC25

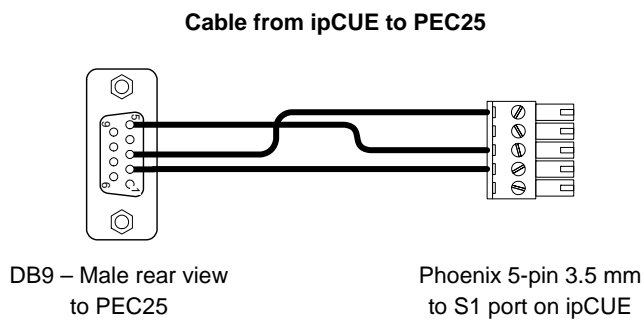
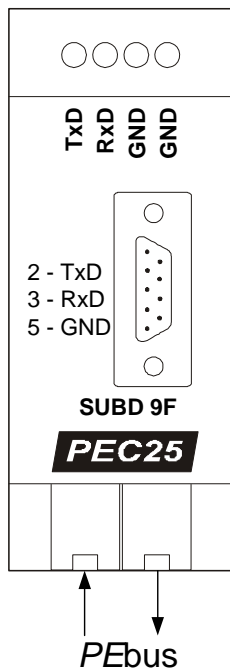
3.1.1. Overview



PEC25 is a converter between RS-232 and PEbus. Transmission way indication by LED indicators. Host computer connector on the front panel for system setup.

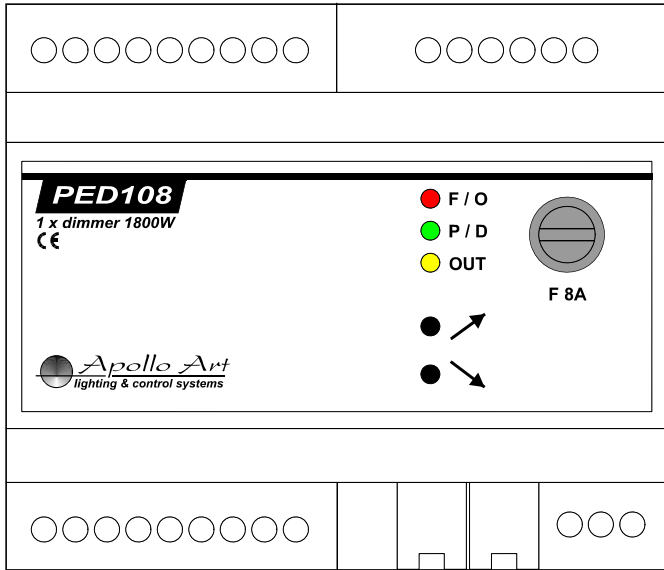
3.1.2. Connections

The connector Sub-D, 9-pin, female and terminals are connected in parallel. TxD means transmit data, RxD means receive data and GND is a digital ground.



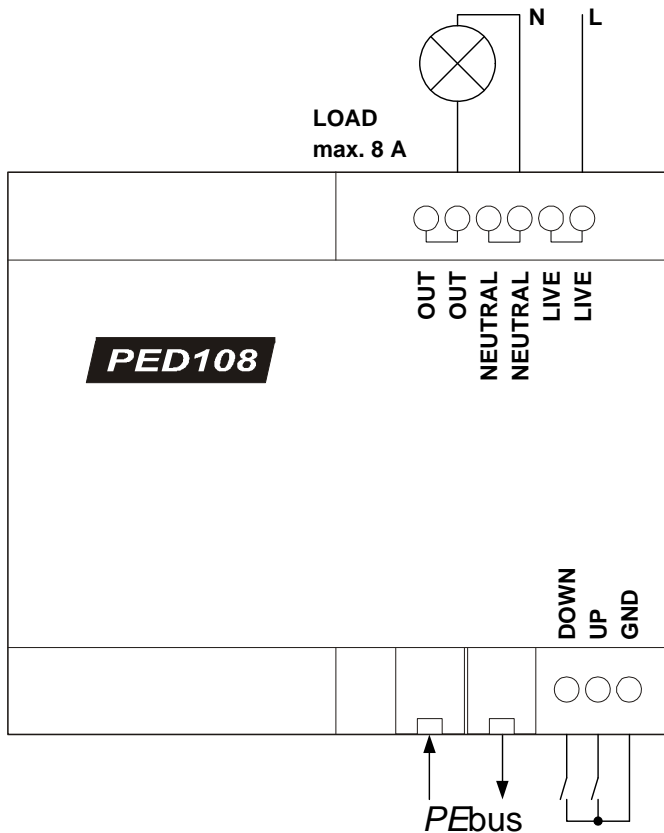
3.2. Dimmer PED108

3.2.1. Overview



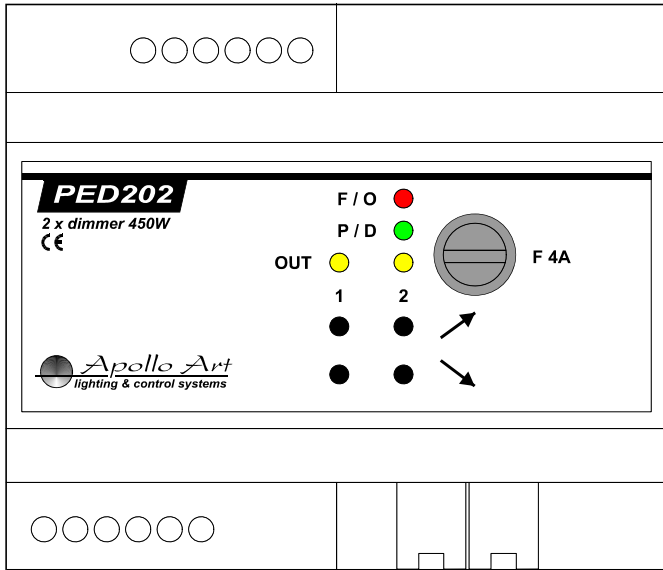
PED108 is a one-channel dimmer for resistive and inductive loads up to 8 A. The unit features PEbus and contact closure control. Programmable parameters (input response, min. and max. value of output voltage, dimming speed, output characteristic). Indication of output level by yellow OUT LED, max. temperature overload and over-current fuse by red F/O LED. Indication of power by green P/D LED. This LED is flashing while data is being transmitted or received through the PEbus.

3.2.2. Connections



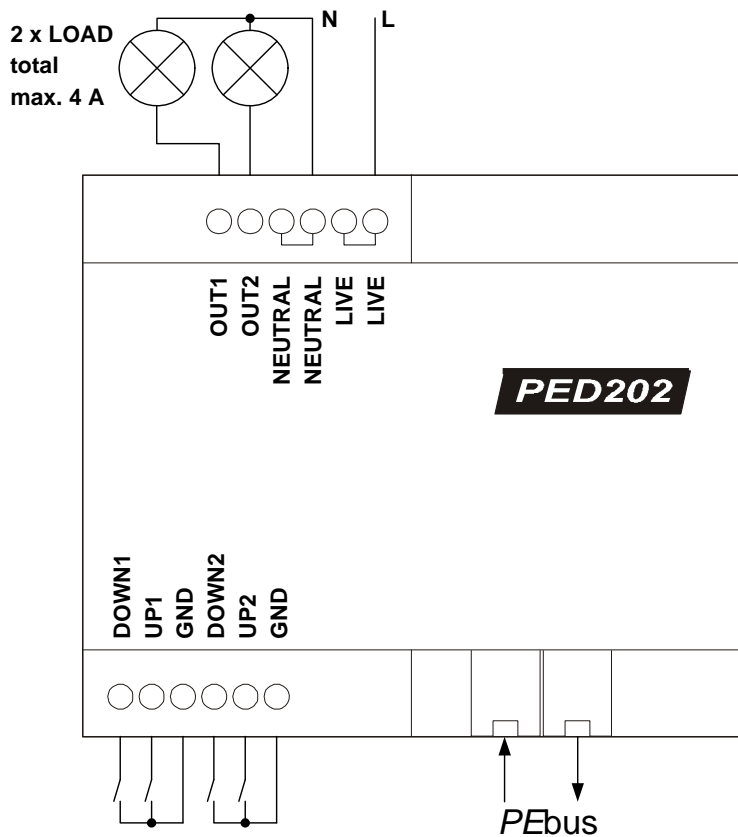
3.3. Dimmer PED202

3.3.1. Overview



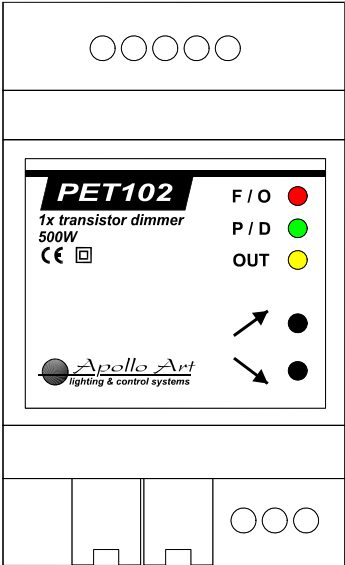
PED202 is a two-channel dimmer for resistive and inductive loads up to 2.7 A per channel (max. 4 A total). The unit features PEbus and contact closure control. Programmable parameters (input response, min. and max. value of output voltage, dimming speed, output characteristic). Indication of output levels by yellow OUT LEDs, max. temperature overload and over-current fuse by red F/O LED. Indication of power by green P/D LED. This LED is flashing while data is being transmitted or received through the PEbus.

3.3.2. Connections



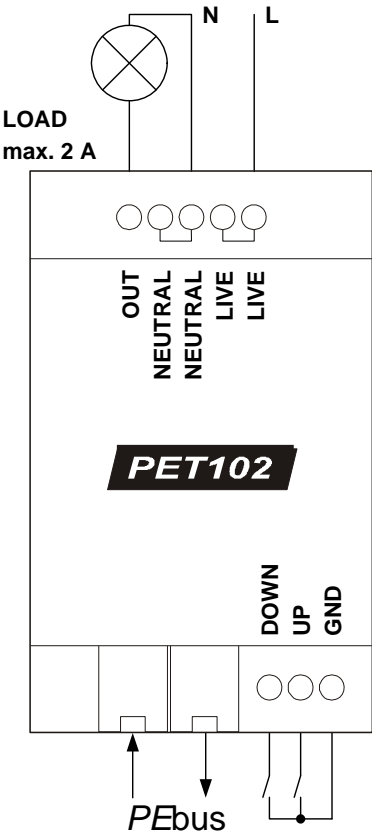
3.4. Dimmer PET102.....

3.4.1. Overview



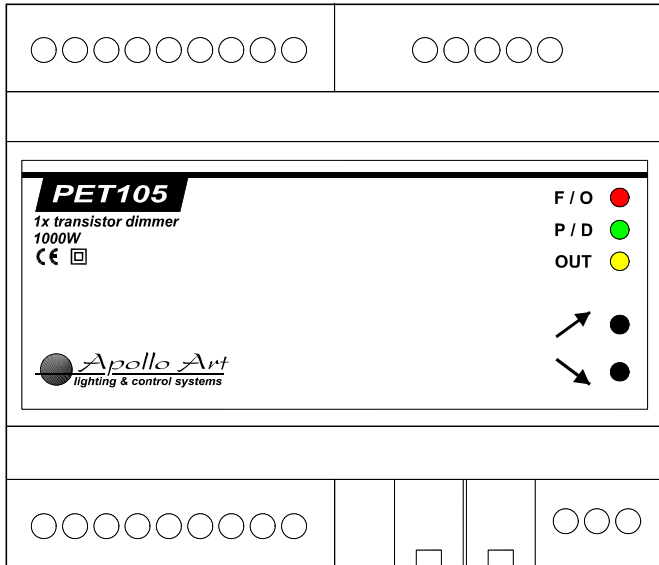
PET102 is a one-channel dimmer for resistive and capacitive loads up to 2 A suitable for dimmable electronic transformers. The unit features PEbus and contact closure control. Programmable parameters (input response, min. and max. value of output voltage, dimming speed, output characteristic). Indication of output level by yellow OUT LED, max. temperature overload and over-current electronic fuse by red F/O LED. Indication of power by green P/D LED. This LED is flashing while data is being transmitted or received through the PEbus.

3.4.2. Connections



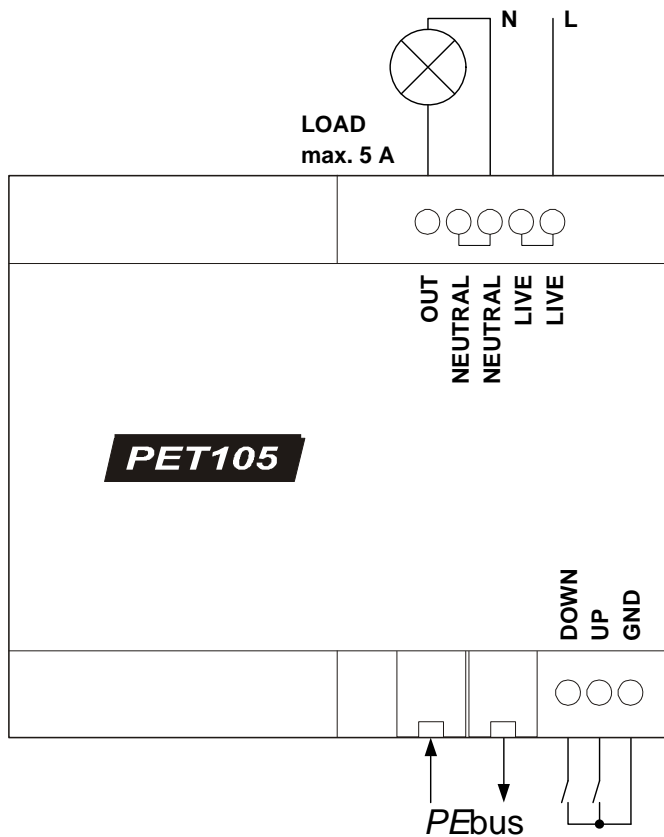
3.5. Dimmer PET105.....

3.5.1. Overview



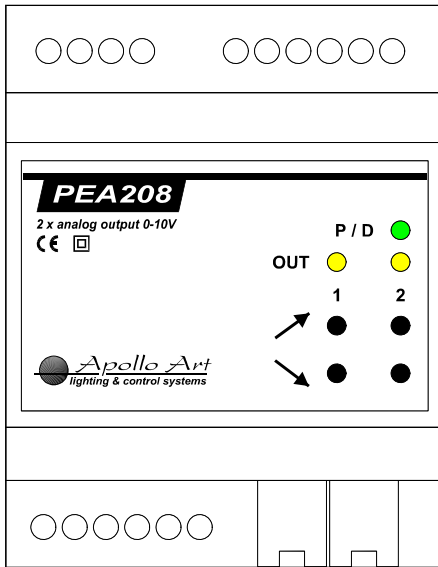
PET105 is a one-channel dimmer for resistive and capacitive loads up to 5 A suitable for dimmable electronic transformers. The unit features PEbus and contact closure control. Programmable parameters (input response, min. and max. value of output voltage, dimming speed, output characteristic). Indication of output level by yellow OUT LED, max. temperature overload and over-current electronic fuse by red F/O LED. Indication of power by green P/D LED. This LED is flashing while data is being transmitted or received through the PEbus.

3.5.2. Connections



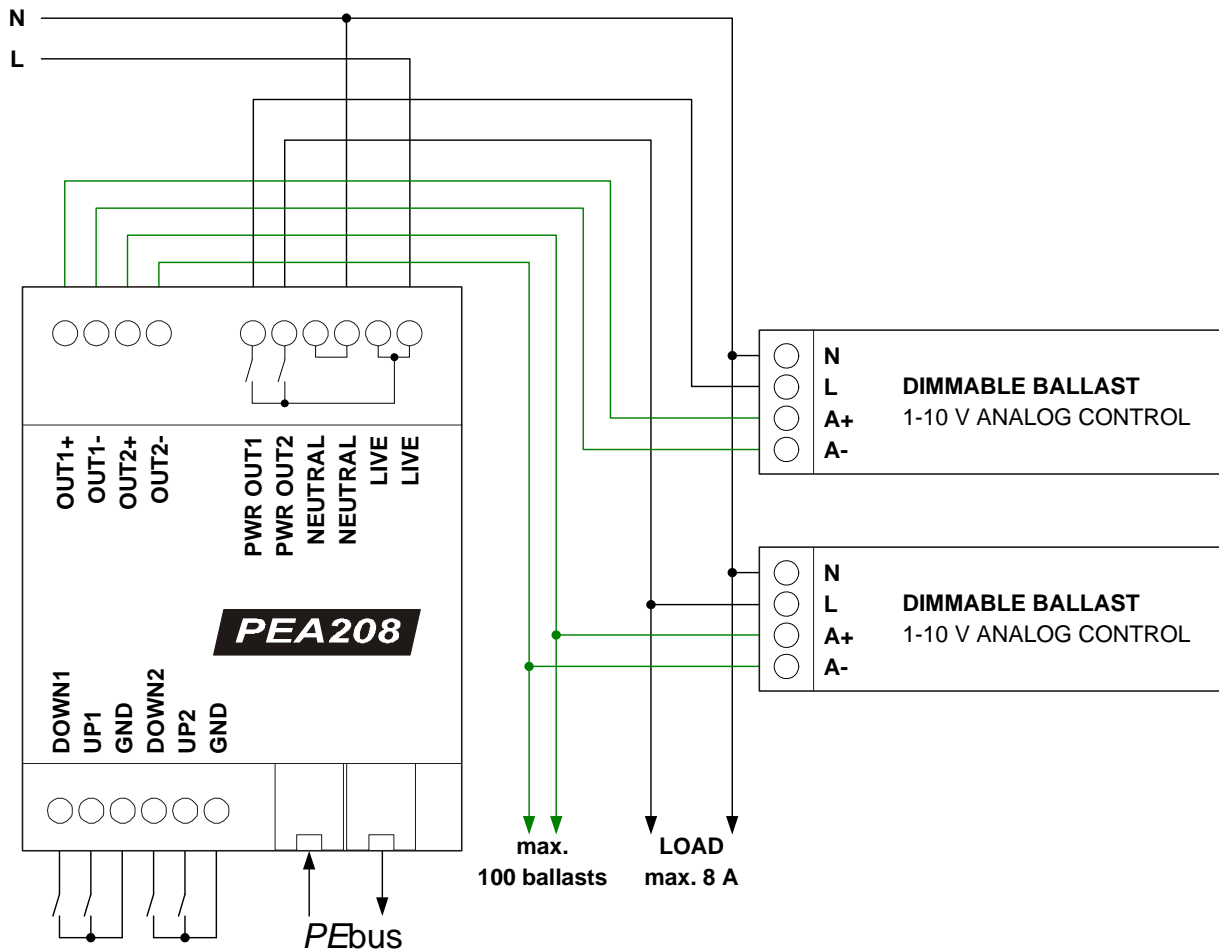
3.6. Analog Outputs Interface PEA208

3.6.1. Overview



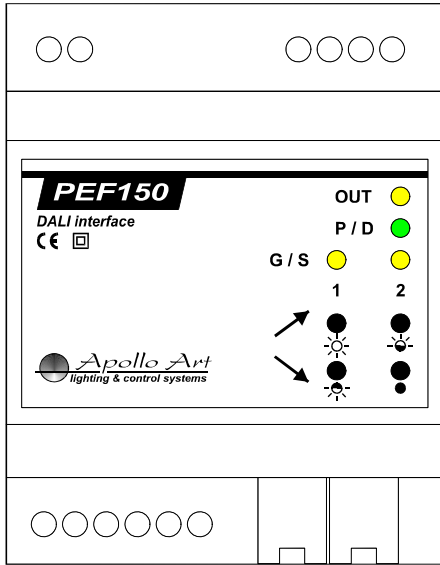
PEA208 is a two-channel analog output 0 - 10V interface for devices with analog control 0 - 10V (dimnable ballast for fluorescent lamps – Osram, Siemens, Helvar, Philips, dimmers, frequency converters ...). Analog outputs have 10-bit resolution (1024 levels). Sink current can be up to 100mA to each output (more then 100 of ballasts). Unit has two switching outputs (max. 8A) automatically switched on, if analog output voltage is greater then 1V (for power supply of ballasts). The unit features PEbus and contact closure control. Programmable parameters (inputs response, min. and max. value of output voltage, scan speed). Indication of output levels by yellow OUT LEDs. Indication of power by green P/D LED. This LED is flashing while data is being transmitted or received through the PEbus.

3.6.2. Connections



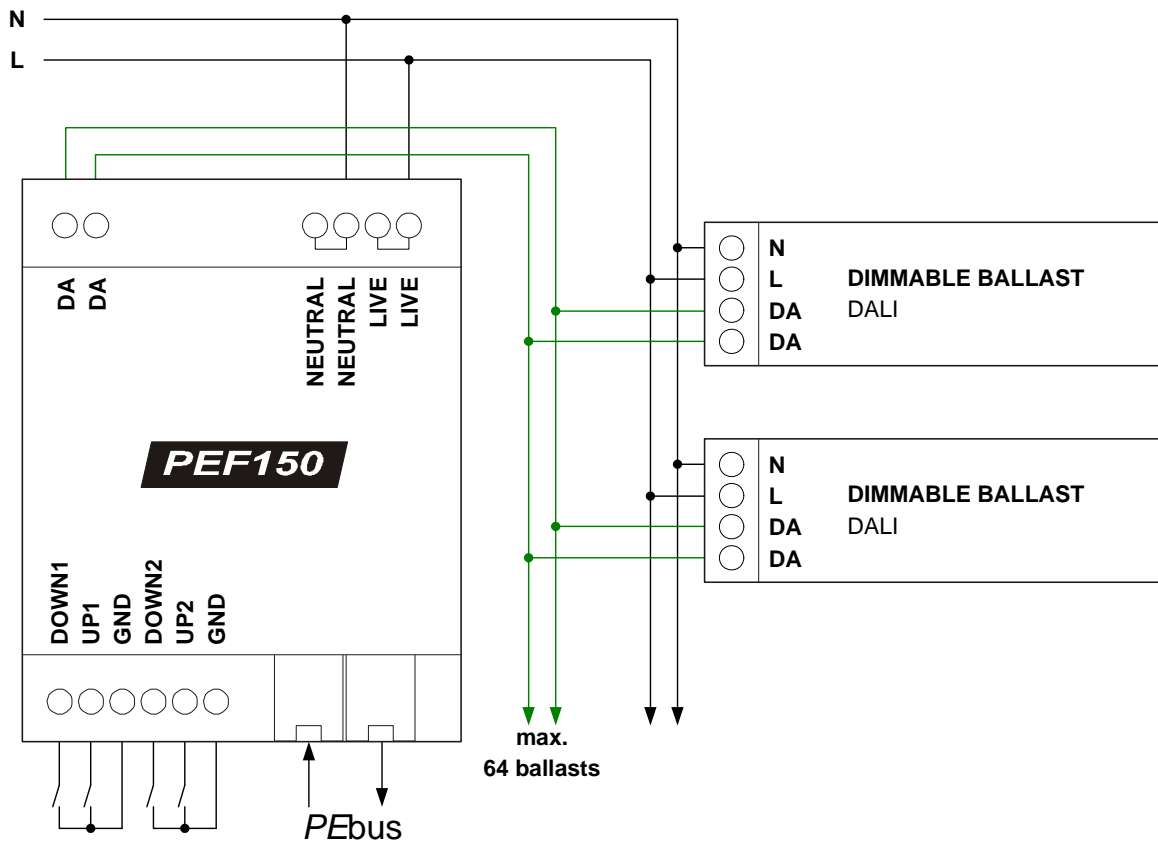
3.7. Dimming Ballasts Interface PEF150

3.7.1. Overview



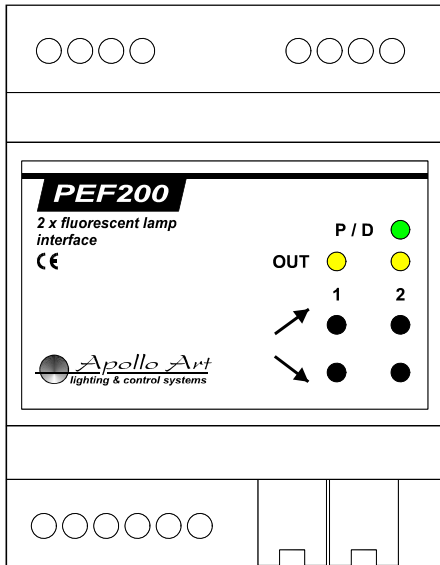
PEF150 is interface for control up to 64 dimmable ballasts for fluorescent lamps on one bus divided up to 15 independent groups. Interface is compatible with ballasts DALI (Philips, Osram, Tridonic, Helvar ...). The unit features PEbus and contact closure control. All groups is possible to control by PEXbus and two of them by external press buttons. Programmable parameters (inputs response, min. and max. value of output voltage, scan speed). Indication of output levels of two groups by yellow G/S LEDs. Indication of power by green P/D LED. This LED is flashing while data is being transmitted or received through the PEbus. Indication of DALI communication by yellow OUT LED.

3.7.2. Connections



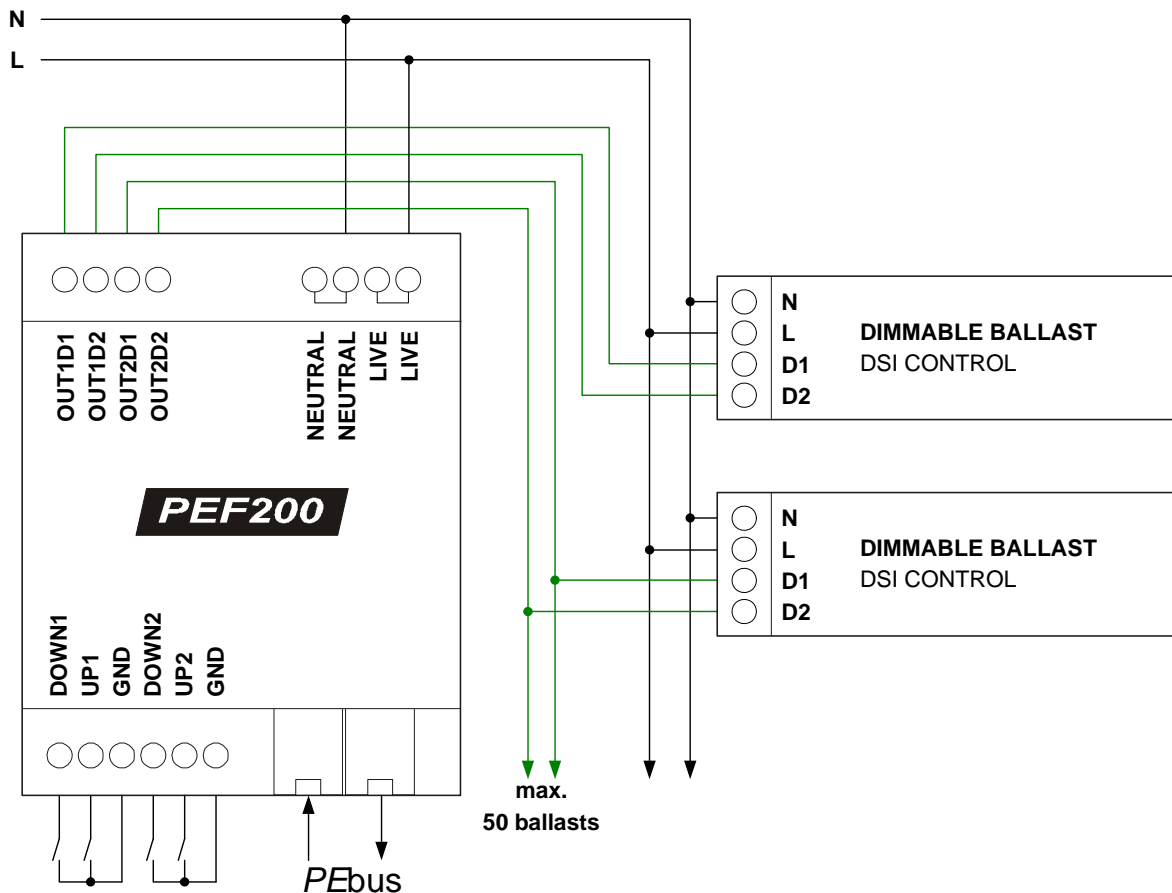
3.8. Dimming Ballasts Interface PEF200

3.8.1. Overview



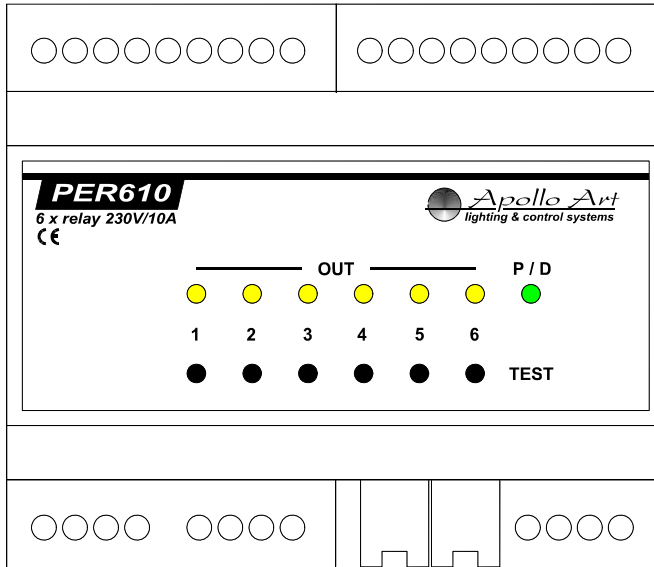
PEF200 is a two-channel interface for fluorescent lamp dimming ballasts with DSI control signal (TRIDONIC, ZUMTOBEL). The unit features PEbus and contact closure control. Programmable parameters (inputs response, min. and max. value of output voltage, scan speed). Indication of output levels by yellow OUT LEDs. Indication of power by green P/D LED. This LED is flashing while data is being transmitted or received through the PEbus.

3.8.2. Connections



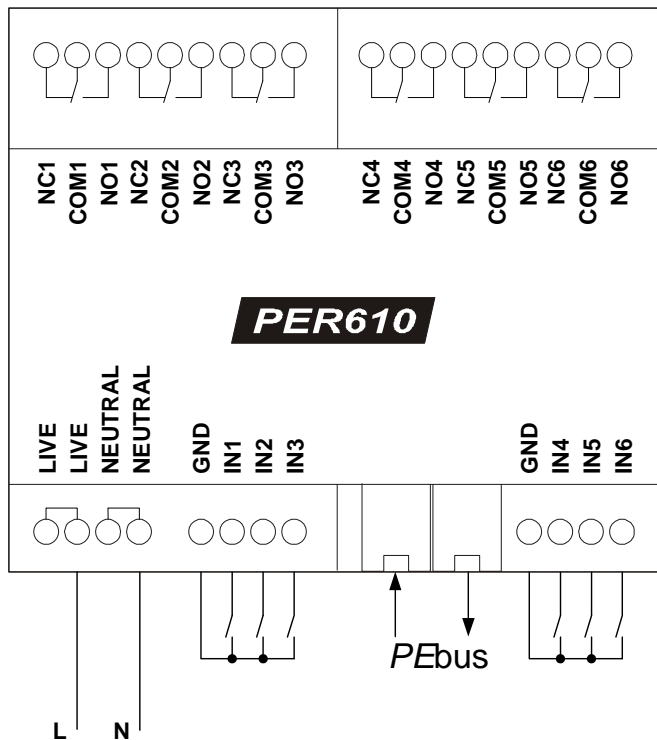
3.9. Switching Unit PER610.....

3.9.1. Overview



PER610 is a six-channel relay switching unit for loads up to 10 A per channel. The unit features PEBus and contact closure control. Programmable parameters for each channel (response on input, delayed on/off, memory, motor control sequence). Indication of output status by yellow OUT LEDs. Indication of power by green P/D LED. This LED is flashing while data is being transmitted or received through the PEBus.

3.9.2. Connections



NC is normally closed contact.
 COM is common contact.
 NO is normally opened contact.
 Max. load is 230V/10A per channel.

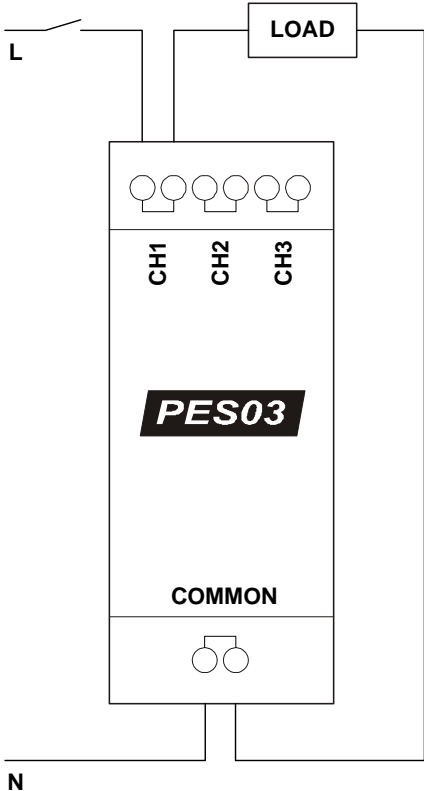
3.10. Suppressor PES03

3.10.1. Overview



PES03 is a three-channel EMI suppressor unit for switching channels. In a connection with PER610, this unit is suitable for suppression of noise peaks generated especially during switching inductive loads (motors of drapes, screens etc.)

3.10.2. Connections



4. Specifications

4.1. General

EMI radiation	According to EN55014 and EN55011 standard
Power supply	230 VAC (version 230V) or 110 VAC (version 110V), 50/60 Hz
Communication.....	PEbus (RS-485)
Enclosure.....	Plastic
Storage temperature.....	-20 to 90 °C

4.2. Converter PEC25

Power supply	From PEbus or external 7.5 - 30 VDC, 100 mA
Baud rate	19 200 bits/sec
Connectors	2x RJ-11-4 for PEbus Sub-D, 9-pin, female for RS-232 Terminals for RS-232
Weight.....	0.1 kg
Dimensions	36 x 90 x 58 mm (2 modules 17.5 mm)
Operating ambient temperature	0 to 60 °C
Supplied accessories.....	PEbus Cable CA0130

4.3. Dimmer PED108

Regulated output	1x 8 A
Way of regulation.....	Leading - edge phase control
Over-current protection.....	Quick-brake fuse 5 x 20 mm, F8A
Cooling system	Passive aluminum heat sink
Insulation strength	2.5 kV between power and control circuits
Connectors	2x RJ-11-4 for PEbus Terminals up to 1.5 mm ² for inputs and outputs
Weight.....	0.75 kg
Dimensions	106 x 90 x 58 mm (6 modules 17.5 mm)
Operating ambient temperature	0 to 40 °C
Supplied accessories.....	PEbus Cable CA0130

4.4. Dimmer PED202

Regulated outputs	2x 2.7 A per channel (4 A total)
Way of regulation.....	Leading - edge phase control
Over-current protection.....	Quick-brake fuse 5 x 20 mm, F4A
Cooling system	Passive aluminum heat sink
Insulation strength	2.5 kV between power and control circuits
Connectors	2x RJ-11-4 for PEbus Terminals up to 1.5 mm ² for inputs and outputs
Weight.....	0.5 kg
Dimensions	106 x 90 x 58 mm (6 modules 17.5 mm)
Operating ambient temperature	0 to 40 °C
Supplied accessories.....	PEbus Cable CA0130

4.8. Dimming Ballasts Interface PEF150

Power consumption 12 W
Output 15 groups, up to 64 electronic DALI compatible ballasts
Connectors 2x RJ-11-4 for PEbus
Terminals up to 1.5 mm² for inputs and outputs
Weight..... 0.25 kg
Dimensions 71 x 90 x 58 mm (4 modules 17.5 mm)
Operating ambient temperature 0 to 60 °C
Supplied accessories..... PEbus Cable CA0130

4.9. Dimming Ballasts Interface PEF200

Power consumption 12 W
Outputs 2x up to 50 electronic DSI compatible ballasts per channel
Connectors 2x RJ-11-4 for PEbus
Terminals up to 1.5 mm² for inputs and outputs
Weight..... 0.25 kg
Dimensions 71 x 90 x 58 mm (4 modules 17.5 mm)
Operating ambient temperature 0 to 60 °C
Supplied accessories..... PEbus Cable CA0130

4.10. Switching Unit PER610

Power consumption 12 W
Outputs 6 relays, up to 230 VAC, 10 A per channel
Insulation strength 2.5 kV between power and control circuits
Connectors 2x RJ-11-4 for PEbus
Terminals up to 1.5 mm² for inputs and outputs
Weight..... 0.5 kg
Dimensions 106 x 90 x 58 mm (6 modules 17.5 mm)
Operating ambient temperature 0 to 60 °C
Supplied accessories..... PEbus Cable CA0130

4.11. Suppressor PES03

Number of suppressed channels..... 3
Max. load voltage 275 VAC
Max. load current..... 10 A
Connectors Terminals up to 1.5 mm² for inputs and outputs
Weight..... 0.1 kg
Dimensions 36 x 90 x 58 mm (2 modules 17.5 mm)
Operating ambient temperature 0 to 60 °C

5. Software and Firmware License

END-USER NOTICE AND LICENSE AGREEMENT FROM CUE, a.s.

NOTICE TO END-USER: CAREFULLY READ THE FOLLOWING LEGAL AGREEMENT (THIS "LICENSE"). INSTALLATION OR USE OF THE ENCLOSED CUE, a.s. SOFTWARE PROGRAMS (COLLECTIVELY, "SOFTWARE") ON YOUR COMPUTER SYSTEMS OR HARDWARE DEVICES CONSTITUTES YOUR ACCEPTANCE OF THESE TERMS. IF YOU DO NOT AGREE TO THE TERMS OF THIS LICENSE, PROMPTLY DELETE THE SOFTWARE FROM YOUR COMPUTER SYSTEMS AND HARDWARE DEVICES, DESTROY ANY COPIES YOU MADE OF THE SOFTWARE OR ANY INSTALLATION MEDIA OF THE SOFTWARE INCLUDED WITH YOUR SYSTEM, AND DISPOSE OF ALL WRITTEN MATERIALS IN YOUR POSSESSION REGARDING THE SOFTWARE.

License Grant: CUE grants to You, as an individual, a license to install and use one (1) copy of the Software on a single computer at a time; provided, however, that You may make copies of the Software solely for Your development of applications for CUE hardware and demonstration versions of such applications. Any applications created with the Software may only be used with Cue hardware. Your license to use the Software is conditioned upon Your compliance with the terms of this License. A License is required for each end-user of the Software. A license is required for each installation of the Software. You may make one (1) copy of the Software for archival purposes only. You may use this Software only in connection with CUE hardware. You must have acquired the Software directly in connection with the purchase of CUE hardware from CUE or from a CUE approved reseller for this license to be effective. If You have purchased a Site License, You may complete only the number of installations specified in the License Agreement accompanying the Software.

Copyright: The Software and software built into CUE hardware ("Firmware") are protected by copyright law and international treaty provisions. You acknowledge that no title to the intellectual property in the Software and Firmware is transferred to You. You further acknowledge that title and full ownership rights to the Software and Firmware will remain the exclusive property of CUE, and You will not acquire any rights to the Software and Firmware except as expressly set forth in this License. You agree that any copies of the Software will contain the same proprietary notices which appear on and in the Software.

Prohibited Uses: Without obtaining prior written permission from CUE, You may not (a.) use, copy, modify, alter, or transfer the Software or documentation except as expressly provided in this License; (b.) translate, disassemble, decompile, reverse program or otherwise reverse engineer the Software and Firmware; (c.) sublicense or lease the Software or its documentation (d.) use this Software with any hardware other than products produced by CUE or in connection with applications being developed for CUE hardware; or (e.) use the Software in a multi-user, network, or multiple computer environment or in a rental, time sharing or computer service business. Without prejudice to any other rights, CUE may terminate this License if You fail to comply with its terms and conditions. In such event, You must immediately destroy all copies of the Software.

No Other Warranties: CUE DOES NOT WARRANT THAT THE SOFTWARE AND FIRMWARE IS ERROR FREE. CUE DISCLAIMS ALL WARRANTIES WITH RESPECT TO THE SOFTWARE AND FIRMWARE, EITHER EXPRESS OR IMPLIED, INCLUDING BUT NOT LIMITED TO IMPLIED WARRANTIES OF MERCHANTABILITY, FITNESS FOR A PARTICULAR PURPOSE AND NONINFRINGEMENT OF THIRD PARTY RIGHTS. SOME JURISDICTIONS DO NOT ALLOW THE EXCLUSION OF IMPLIED WARRANTIES OR LIMITATIONS OF HOW LONG AN IMPLIED WARRANTY MAY LAST, OR THE EXCLUSION OF LIMITATION OF INCIDENTAL DAMAGES, SO THE ABOVE LIMITATIONS OR EXCLUSIONS MAY NOT APPLY TO YOU. THIS WARRANTY GIVES YOU SPECIFIC LEGAL RIGHTS AND YOU MAY ALSO HAVE OTHER RIGHTS WHICH VARY FROM JURISDICTION TO JURISDICTION.

No Liability for Consequential Damages: IN NO EVENT SHALL CUE BE LIABLE TO YOU FOR ANY CONSEQUENTIAL, SPECIAL, INCIDENTAL, OR INDIRECT DAMAGES OF ANY KIND ARISING OUT OF THE PERFORMANCE OR USE OF THE SOFTWARE, EVEN IF CUE HAS BEEN ADVISED OF THE POSSIBILITY OF SUCH DAMAGES.

Label on Hardware: Use of this hardware and the software programs controlling this hardware is subject to the terms of the Software and Hardware License Agreements (the "License Agreements"). You should not use the software and hardware until you have read the License Agreements. By using the software and hardware, you signify that you have read the Licenses Agreements and accept their terms. The "License Agreement" is available at www.cuesystem.com.

Trademark Notice: CUE and the CUE logo are trademarks of CUE, a.s. in the United States and in other countries.

6. Warranty Conditions

Warranty Duration

CUE, a.s. provides warranty for all CUE products for a period of 3 years from the day of purchase. The provided warranty for touch screens is 2 years from the day of purchase. CUE accepts reclamation of 5 not properly working dots and more (2 dots join – 1 counts). The warranty provided for rechargeable accumulators is 6 months from the day of purchase

Liability

CUE is not liable for any consequential damage caused by CUE products including any loss of profits, incidental or consequential damages or any claims made by a third parties.

General Warranty Terms

- a) CUE warrants that its products are without defects in material and are fully functional for the duration of the warranty.
- b) Warranty repairs are free of charge. The customer will send the damaged device to CUE at his cost.
- c) All warranty repairs and after warranty services are made at CUE premises. It is strictly prohibited to repair CUE products or to change any accessory parts, except those parts with limited service life. CUE is not liable for consumables or parts with limited service life (lamps, batteries etc.)
- d) The warranty further does not apply to the following cases
 - Damages caused by operating the system not according to the conditions defined in user manual or instruction (wrong power supply voltage, operation outside deferred temperature range, operation in humid environment and mechanical damages).
 - Damages caused by faulty service, maintenance, connection, and use of other than original connection cable.
 - Damage caused by agencies i.e. incidental or unpredictable impacts (fire, earthquake, flood, thunder, strong electric induction, water, strong wind, theft, vandalism etc.)

After Warranty Services

- a) All warranty repairs are normally on a 'back to base' basis, as defined in 3 c)
- b) All out warranty repair costs will be fully charged to the customer.
- c) In cases where our staff are called out to assist, cost of transport and time will be at customer cost

7. CE Declaration of Conformity



CE Declaration of Conformity

We, the producer **CUE, a.s.**, K Nouzovu 6, Praha 4, Czech Republic acknowledge our sole responsibility, that the product including accessories

Kind of equipment: Remote Control System

Type designation
(in alphabetical order)

Product Name	Product Code
airCUE-6X10	CS0300-001 to CS0300-005
airCUE-6X10 Tabletop Docking Station	CS0301-001 to CS0301-005
airCUE-6X10 Tabletop Stand	CS0303-001
airCUE-6X10 Wall Docking Station	CS0302-001 to CS0302-005
airCUE-6X10 Wall Mounting Adapter	CS0304-001
airCUE-8X10	CS0305-001 to CS0305-005
airCUE-8X10 Tabletop Docking Station	CS0306-001 to CS0306-005
airCUE-8X10 Tabletop Stand	CS0308-001
airCUE-8X10 Wall Docking Station	CS0307-001 to CS0307-005
airCUE-8X10 Wall Mounting Adapter	CS0309-001
airCUE-XM8	CS0254-W, CS0254-O, CS0254-M
airCUE-XM8 Docking Station	CS0260-W, CS0260-O, CS0260-M
analogCUE	CS0004
auxCUE	CS0005
CUEadapter / 30W	CS0292-001 to CS0292-003
CUEadapter / 65W	CS0293-001 to CS0293-003
CUEwire Converter 232/422/485	CS0233
eCUE	CS0173
inputCUE	CS0191
ipCUE-alpha	CS0251
ipCUE-beta	CS0252
ipCUE-delta	CS0267
ipCUE-epsilon	CS0268
ipCUE-gamma	CS0253
ipCUE Rack Mounting Kit	CS0251-MR
IR Adapter /i	CS0256
irCUE 99	CS0149-WA, CS0149-OA, CS0149-MA
irCUE Receiver 485	CS0169-C
keyboardCUE-S	CS0174-W, CS0174-O, CS0174-M
keyboardCUE 99	CS0145-W, CS0145-O, CS0145-M
keypadCUE-1G	CS0221
keypadCUE-2G	CS0222
keypadCUE-3G	CS0223
monitorCUE	CS0203-W, CS0203-O, CS0203-M
Opto-Input Adapter /i	CS0257
PEA208	CS0225-1, CS0225-2
PEC25	CS0163
PED108	CS0164-1, CS0164-2
PED202	CS0165-1, CS0165-2
PEF150	CS0249-1, CS0249-2
PEF200	CS0166-1, CS0166-2
PER610	CS0167-1, CS0167-2
PES03	CS0168
PET102	CS0244-1, CS0244-2

Product Name	Product Code
PET105	CS0245-1, CS0245-2
powerAUX	CS0016
rfbaseCUE	CS0171-4, CS0171-8, CS0171-9
rfCUE 99	CS0170-4A, CS0170-8A, CS0170-9A
Rx Ext	CS0319.401
Rxt DIN / Data Receiver	CS0318.401
sbiCUE-DMX	CS0201
sensorCUE	CS0265
smartCUE	CS0008-R, CS0008-M
soundCUE	CS0009
touchCUE-L	CS0236
touchCUE-L/b	CS0238
touchCUE-L/b Back Box	CS0238-MB
touchCUE-L/b Rack Mount Panel	CS0238-MR
touchCUE-LV	CS0236-V
touchCUE-LV/b	CS0238-V
touchCUE-LV 99	CS0234-W-V, CS0234-O-V, CS0234-M-V
touchCUE-M	CS0237
touchCUE-M /b	CS0239
touchCUE-M /b Back Box	CS0239-MB
touchCUE-M /b Rack Mount Panel	CS0239-MR
touchCUE-MV	CS0237-V
touchCUE-MV /b	CS0239-V
touchCUE-MV 99	CS0235-W-V, CS0235-O-V, CS0235-M-V
touchCUE-S	CS0247
touchCUE-S/b	CS0241
touchCUE-S/b Back Box	CS0241-MB
touchCUE-S/b Rack Mount Panel	CS0241-MR
touchCUE-S 99	CS0248-W, CS0248-O, CS0248-M
touchCUE-SRF	CS0188-4, CS0188-8, CS0188-9
touchCUE-SX/b	CS0266
touchCUE-SX/b Back Box	CS0266-MB
touchCUE-SX/b Rack Mount Panel	CS0266-MR
touchCUE-V /i	CS0190
touchCUE-XLV 99	CS0261-W-V, CS0261-O-V, CS0261-M-V
Tx Cross 4	CS0317.401
Tx Element 2	CS0312.401 to CS0312.424
Tx Element 4	CS0313.401 to CS0313.424
Tx Key	CS0316.401
Tx Pocket 1	CS0314.401
Tx Pocket 4	CS0315.401
Tx Time 2	CS0310.401 to CS0310.434
Tx Time 4	CS0311.401 to CS0311.434
Universal Serial Cable Adapter	CS0271

in accordance with EMC Directive 89/336/EEC,
is in compliance with the following norms or documents:

EN50082-1 (IEC801-2), IEC65(CO)39, DIN VDE 0839 part 82-1, DIN VDE 0843 part 4, IEC801-4, EN50081-1, EN55022 class B, DIN VDE 0839 part 81-1, EN55014, EN55011.

28.5.2007

Jaroslav Dibitanz
Member of Board of Directors

8. FCC



Caution

Changes or modifications to this unit not expressly approved by the party responsible for compliance could void the user's authority to operate the equipment.

Note

This equipment has been tested and found to comply with the limits for a Class B digital device, pursuant to Part 15 of the FCC Rules. These limits are designed to provide reasonable protection against harmful interference in a residential installation. This equipment generates, uses and can radiate radio frequency energy and, if not installed and used in accordance with the instructions, may cause harmful interference to radio communications. However, there is no guarantee that interference will not occur in a particular installation. If this equipment does cause harmful interference to radio or television reception, which can be determined by turning the equipment off and on, the user is encouraged to try to correct the interference by one or more of the following measures:

- Reorient or relocate the receiving antenna.
- Increase the separation between the equipment and receiver.
- Connect the equipment into an outlet on a circuit different from that to which the receiver is connected.
- Consult the dealer or an experienced radio / TV technician for help.

