

User Manual

inputCUE

Version 01

User Manual inputCUE
UM020_01, 01.04.2003

Copyright © CUE, a.s., Praha, Czech Republic 1990 - 2003.
All rights reserved. Specifications are subject to change without prior notice.

Table of Contents

1. Introduction	4
1.1. Overview	4
1.2. Models.....	4
1.3. Features	4
1.4. Programming.....	4
2. Description	5
3. Connecting	6
4. Addressing	7
5. Specifications and Mechanical Drawings	8
6. Software and Firmware License	9
7. Warranty Conditions	10
8. CE Declaration of Conformity.....	11
9. FCC.....	12

1. Introduction

1.1. Overview

The inputCUE connects up to eight contacts to a control system. Addressing of the unit is set by DIP switches and CUEwire (RS-485) activity is indicated on front panel. The enclosure allows for simple installation on a DIN rail.

1.2. Models

This User Manual describes products itemized in table below.

Model	Product code	Description
inputCUE	CS0191	Input unit for up to (8) contacts

1.3. Features

- (8) inputs for potential free contacts
- Plastic enclosure
- Simple installation on e DIN rail
- System connection by CUEwire

1.4. Programming

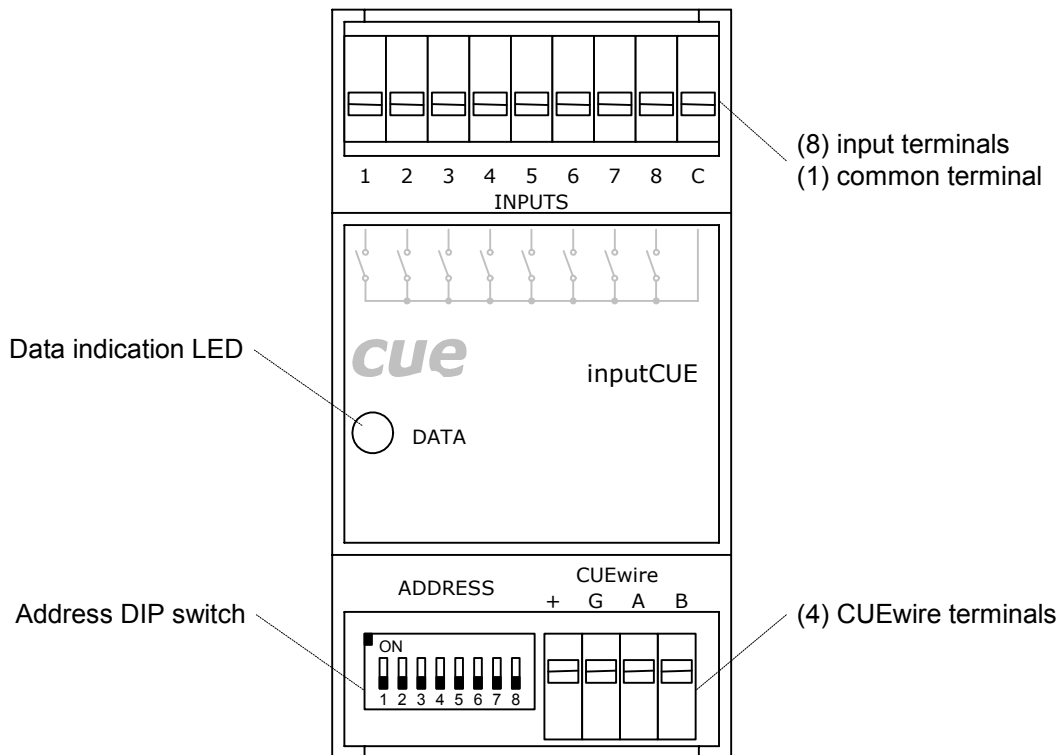
The inputCUE is programmed using **Cue Director** programming tool. Control commands are described in the **Programming Manual CPL References**, chapter Keyboards.

2. Description

The enclosure of the inputCUE is a standard enclosure which allows simple installation into a switchboard on a DIN rail. Inputs are connected via (8) terminals with (1) common terminal. Standard CUEwire is connected via 4-pin terminal and it includes power supply 24 VDC and RS-485 data.

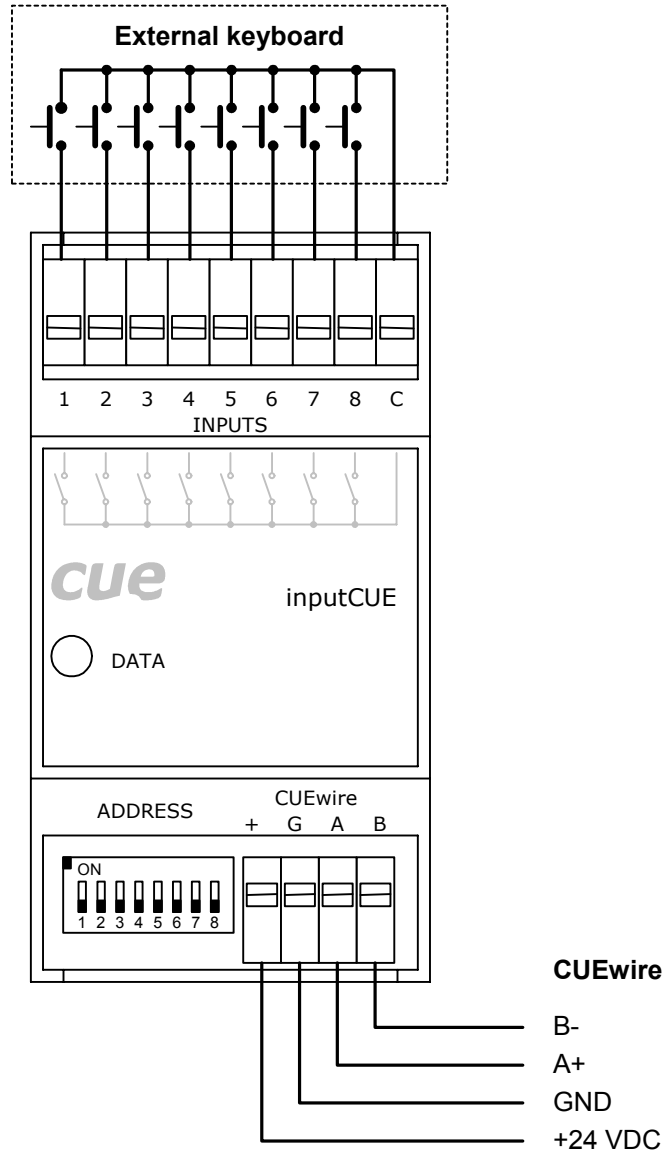
The address DIP switch sets address of the inputCUE in the range 0 to 255.

Data indication LED indicates data activity on the CUEwire. This activity is indicated if some input is switch OFF. This feature allows test all inputs without connection to a control unit.



3. Connecting

A connection of the external keyboard is described on the picture below.



4. Addressing

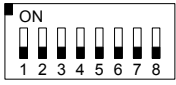
The BUTTON_ID transmitted by the inputCUE is calculated according formula below.

$$\text{BUTTON_ID} = \text{Offset} + \text{Input \#}$$

$$\text{Offset} = 8 * \text{ADDRESS}$$

The lowest BUTTON_ID is generated by the input marked 1 the highest BUTTON_ID is generated by the input marked 8.

The ADDRESS of the inputCUE is binary coded by DIP switch. The range is 0 to 255.

Switch view	Switch nr.	Function
	SW1	ADDRESS bit 0
	SW2	ADDRESS bit 1
	SW3	ADDRESS bit 2
	SW4	ADDRESS bit 3
	SW5	ADDRESS bit 4
	SW6	ADDRESS bit 5
	SW7	ADDRESS bit 6
	SW8	ADDRESS bit 7

ADDRESS	SW1	SW2	SW3	SW4	SW5	SW6	SW7	SW8
0	OFF	OFF	OFF	OFF	OFF	OFF	OFF	OFF
1	ON	OFF	OFF	OFF	OFF	OFF	OFF	OFF
2	OFF	ON	OFF	OFF	OFF	OFF	OFF	OFF
3	ON	ON	OFF	OFF	OFF	OFF	OFF	OFF
4	OFF	OFF	ON	OFF	OFF	OFF	OFF	OFF
5	ON	OFF	ON	OFF	OFF	OFF	OFF	OFF
6	OFF	ON	ON	OFF	OFF	OFF	OFF	OFF
7	ON	ON	ON	OFF	OFF	OFF	OFF	OFF
8	OFF	OFF	OFF	ON	OFF	OFF	OFF	OFF
9	ON	OFF	OFF	ON	OFF	OFF	OFF	OFF
...								
255	ON	ON	ON	ON	ON	ON	ON	ON

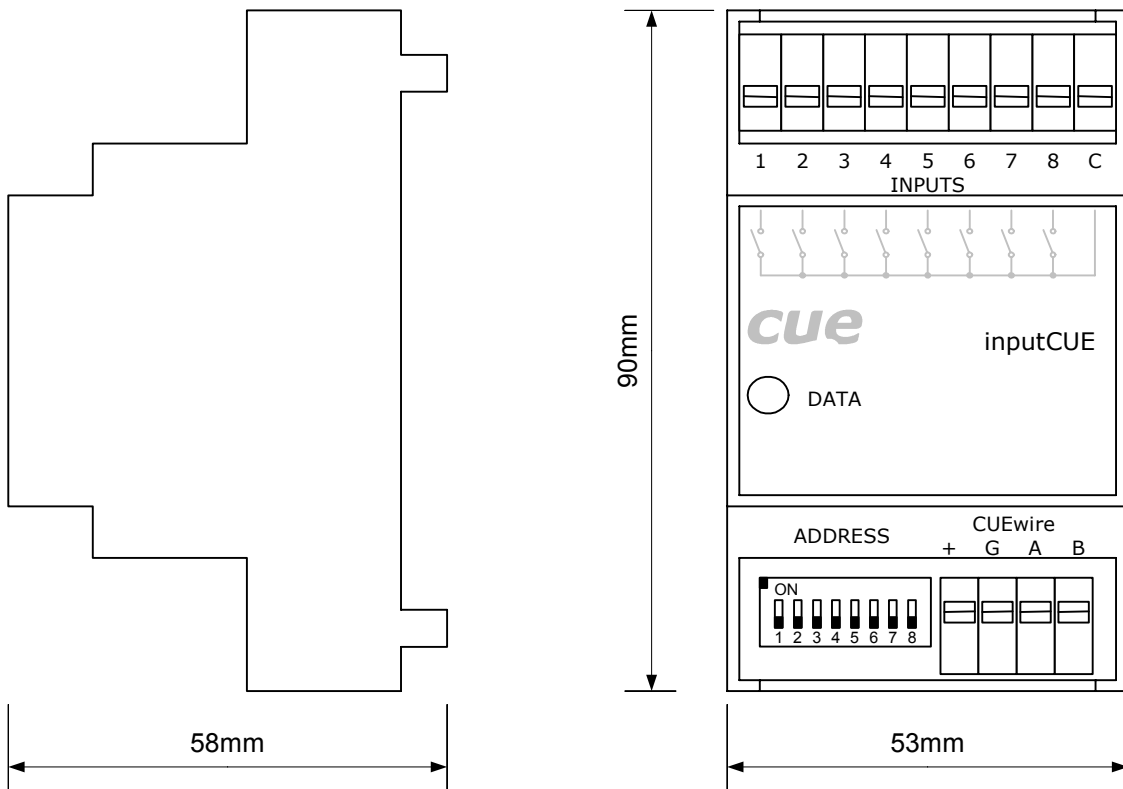
In the table below there is Input ID range for each address.

ADDRESS	BUTTON_ID range
0	1 8
1	9 16
2	17 24
3	25 32
4	33 40
...	
255	2041 2048

5. Specifications and Mechanical Drawings

Inputs	(8) potential free contacts, (9) terminals
Address.....	DIP switch for address setting
System connection	CUEwire (RS-485), terminals
Power supply	24 VDC (+/- 20%), 10 W
Enclosure.....	Plastic
Dimensions (WxHxD)	53 mm (2") x 90 mm (3.5") x 58 mm (2.3")
Weight.....	0.25 kg / 0.7 lb

All dimensions are in mm.



6. Software and Firmware License

END-USER NOTICE AND LICENSE AGREEMENT FROM CUE, spol. s r.o.

NOTICE TO END-USER

CAREFULLY READ THE FOLLOWING LEGAL AGREEMENT (THIS "LICENSE"). INSTALLATION OR USE OF THE ENCLOSED CUE, spol. s r.o. SOFTWARE PROGRAMS (COLLECTIVELY, "SOFTWARE") ON YOUR COMPUTER SYSTEMS OR HARDWARE DEVICES CONSTITUTES YOUR ACCEPTANCE OF THESE TERMS. IF YOU DO NOT AGREE TO THE TERMS OF THIS LICENSE, PROMPTLY DELETE THE SOFTWARE FROM YOUR COMPUTER SYSTEMS AND HARDWARE DEVICES, DESTROY ANY COPIES YOU MADE OF THE SOFTWARE OR ANY INSTALLATION MEDIA OF THE SOFTWARE INCLUDED WITH YOUR SYSTEM, AND DISPOSE OF ALL WRITTEN MATERIALS IN YOUR POSSESSION REGARDING THE SOFTWARE.

License Grant

CUE grants to You, as an individual, a license to install and use one (1) copy of the Software on a single computer at a time; provided, however, that You may make copies of the Software solely for Your development of applications for CUE hardware and demonstration versions of such applications. Any applications created with the Software may only be used with CUE hardware. Your license to use the Software is conditioned upon Your compliance with the terms of this License. A License is required for each end-user of the Software. A license is required for each installation of the Software. You may make one (1) copy of the Software for archival purposes only. You may use this Software only in connection with CUE hardware. You must have acquired the Software directly in connection with the purchase of CUE hardware from CUE or from a CUE approved reseller for this license to be effective. If You have purchased a Site License, You may complete only the number of installations specified in the License Agreement accompanying the Software.

Copyright

The Software and software built into CUE hardware ("Firmware") are protected by copyright law and international treaty provisions. You acknowledge that no title to the intellectual property in the Software and Firmware is transferred to You. You further acknowledge that title and full ownership rights to the Software and Firmware will remain the exclusive property of CUE, and You will not acquire any rights to the Software and Firmware except as expressly set forth in this License. You agree that any copies of the Software will contain the same proprietary notices which appear on and in the Software.

Prohibited Uses

Without obtaining prior written permission from CUE, You may not (a.) use, copy, modify, alter, or transfer the Software or documentation except as expressly provided in this License; (b.) translate, disassemble, decompile, reverse program or otherwise reverse engineer the Software and Firmware; (c.) sublicense or lease the Software or its documentation (d.) use this Software with any hardware other than products produced by CUE or in connection with applications being developed for CUE hardware; or (e.) use the Software in a multi-user, network, or multiple computer environment or in a rental, time sharing or computer service business. Without prejudice to any other rights, CUE may terminate this License if You fail to comply with its terms and conditions. In such event, You must immediately destroy all copies of the Software.

No Other Warranties

CUE DOES NOT WARRANT THAT THE SOFTWARE AND FIRMWARE IS ERROR FREE. CUE DISCLAIMS ALL WARRANTIES WITH RESPECT TO THE SOFTWARE AND FIRMWARE, EITHER EXPRESS OR IMPLIED, INCLUDING BUT NOT LIMITED TO IMPLIED WARRANTIES OF MERCHANTABILITY, FITNESS FOR A PARTICULAR PURPOSE AND NONINFRINGEMENT OF THIRD PARTY RIGHTS. SOME JURISDICTIONS DO NOT ALLOW THE EXCLUSION OF IMPLIED WARRANTIES OR LIMITATIONS OF HOW LONG AN IMPLIED WARRANTY MAY LAST, OR THE EXCLUSION OF LIMITATION OF INCIDENTAL DAMAGES, SO THE ABOVE LIMITATIONS OR EXCLUSIONS MAY NOT APPLY TO YOU. THIS WARRANTY GIVES YOU SPECIFIC LEGAL RIGHTS AND YOU MAY ALSO HAVE OTHER RIGHTS WHICH VARY FROM JURISDICTION TO JURISDICTION.

No Liability for Consequential Damages

IN NO EVENT SHALL CUE BE LIABLE TO YOU FOR ANY CONSEQUENTIAL, SPECIAL, INCIDENTAL, OR INDIRECT DAMAGES OF ANY KIND ARISING OUT OF THE PERFORMANCE OR USE OF THE SOFTWARE, EVEN IF CUE HAS BEEN ADVISED OF THE POSSIBILITY OF SUCH DAMAGES.

Label on Hardware

Use of this hardware and the software programs controlling this hardware is subject to the terms of the Software and Hardware License Agreements (the "License Agreements"). You should not use the software and hardware until you have read the License Agreements. By using the software and hardware, you signify that you have read the Licenses Agreements and accept their terms. The "License Agreement" is available at www.cuesystem.com.

Trademark Notice

CUE and the CUE logo are trademarks of CUE spol. s r.o. in the United States and in other countries.

7. Warranty Conditions

Warranty Duration

CUE provides warranty for all CUE products for a period of 3 years from the day of purchase. The provided warranty for touch screens is 2 years from the day of purchase. CUE accepts reclamation of 5 not properly working dots and more (2 dots join – 1 counts). The warranty provided for rechargeable accumulators is 6 months from the day of purchase

Liability

CUE is not liable for any consequential damage caused by CUE products including any loss of profits, incidental or consequential damages or any claims made by a third parties.

General Warranty Terms

- a) CUE warrants that its products are without defects in material and are fully functional for the duration of the warranty.
- b) Warranty repairs are free of charge. The customer will send the damaged device to CUE at his cost.
- c) All warranty repairs and after warranty services are made at CUE premises. It is strictly prohibited to repair CUE products or to change any accessory parts, except those parts with limited service life. CUE is not liable for consumables or parts with limited service life (lamps, batteries etc.)
- d) The warranty further does not apply to the following cases
 - Damages caused by operating the system not according to the conditions defined in user manual or instruction (wrong power supply voltage, operation outside deferred temperature range, operation in humid environment and mechanical damages).
 - Damages caused by faulty service, maintenance, connection, and use of other than original connection cable.
 - Damage caused by agencies i.e. incidental or unpredictable impacts (fire, earthquake, flood, thunder, strong electric induction, water, strong wind, theft, vandalism etc.)

After Warranty Services

- a) All warranty repairs are normally on a 'back to base' basis, as defined in 3 c)
- b) All out warranty repair costs will be fully charged to the customer.
- c) In cases where our staff are called out to assist, cost of transport and time will be at customer cost

8. CE Declaration of Conformity



We, the producer

CUE spol. s r. o., Na Dolinách 6, Praha 4, Czech Republic
acknowledge our sole responsibility, that the product incl. accessories

Kind of equipment

Remote Control System

Type designation

CS0197 touchCUE-L 99, CS0159 touchCUE 99, CS0157 touchCUE-S 99,
CS0183 touchCUE-V, CS0198 touchCUE-L, CS0200 touchCUE-M, CS0176 touchCUE-MM, CS0122 touchCUE,
CS0142 touchCUE-S,
CS0178 touchCUE-V /t, CS0199 touchCUE-L /t, CS0204 touchCUE-M /t, CS0143 touchCUE-S /t,
CS0158 touchCUE-S /w,
CS0224 touchCUE-S /d,
CS0205 touchCUE-M /r, CS0144 touchCUE-S /r
ST0007 Guide, CS0188 touchCUE-SRF, CS0171 rfbaseCUE,
ST0013 monitorCUE-V, CS0203 monitorCUE, CS0190 touchCUE-V /i, CS0151 PC Interface 485
CS0170 rfCUE 99, CS0170 rfCUE 99, CS0149 irCUE 99, CS0133 irCUE, CS0080 irCUE Receiver,
CS0169 irCUE Receiver 485,
CS0221 keypadCUE-1G, CS0222 keypadCUE-2G, CS0223 keypadCUE-3G,
CS0145 keyboardCUE 99, CS0128 keyboardCUE, CS0174 keyboardCUE-S, CS0129 keyboardCUE /t,
CS0146 keyboardCUE-S /w, CS0130 keyboardCUE /r, CS0191 inputCUE,
CS0173 eCUE
CS0051 Assistant, CS0150 Assistant-S, CS0100 PC Card, CS0227 CUEwire Splitter,
CS0008 smartCUE, CS0201 sbiCUE-DMX, CS0009 soundCUE, CS0004 analogCUE, CS0005 auxCUE,
CS0165 PED202, CS0166 PEF200, CS0167 PER610, CS0163 PEC25, CS0225 PEA208, CS0164 PED108,
CS0184 CUEadapter /10W, CS0226 CUEadapter /20W, CS0185 CUEadapter /50W, CS0186 CUEadapter /80W,
CS0168 PES03, CS0016 powerAUX,
PT0005 Cue Director, PT0004 Teach-In, PT0006 WinKit

in accordance with **EMC Directive 89/336/EEC**,

is in compliance with the following norms or documents:

EN50082-1 (IEC801-2), IEC65(CO)39, DIN VDE 0839 part 82-1, DIN VDE 0843 part 4, IEC801-4,
EN50081-1 EN55022 class B, DIN VDE 0839 part 81-1, EN55014, EN55011.

Jaroslav Dibitanzl
Member of Board of Directors

9. FCC

Caution

Changes or modifications to this unit not expressly approved by the party responsible for compliance could void the user's authority to operate the equipment.

Note

This equipment has been tested and found to comply with the limits for a Class B digital device, pursuant to Part 15 of the FCC Rules. These limits are designed to provide reasonable protection against harmful interference in a residential installation. This equipment generates, uses and can radiate radio frequency energy and, if not installed and used in accordance with the instructions, may cause harmful interference to radio communications. However, there is no guarantee that interference will not occur in a particular installation. If this equipment does cause harmful interference to radio or television reception, which can be determined by turning the equipment off and on, the user is encouraged to try to correct the interference by one or more of the following measures:

- Reorient or relocate the receiving antenna.
- Increase the separation between the equipment and receiver.
- Connect the equipment into an outlet on a circuit different from that to which the receiver is connected.
- Consult the dealer or an experienced radio / TV technician for help.

