

Elite-CV-5

Cost-effective 5" Touch Panel Control System



Main Features

Wired tabletop touch panel touchCUE-5

- 4.3" IPS display 800 x 480 pixels, pixel density 217 ppi
- Projected capacitive touch overlay, edge-to-edge front glass
- Video preview
- Wired Ethernet connection, PoE IEEE 802.3af compatible
- Aluminium slim unibody enclosure
- Integrated tabletop stand

Controller controlCUE-versatile

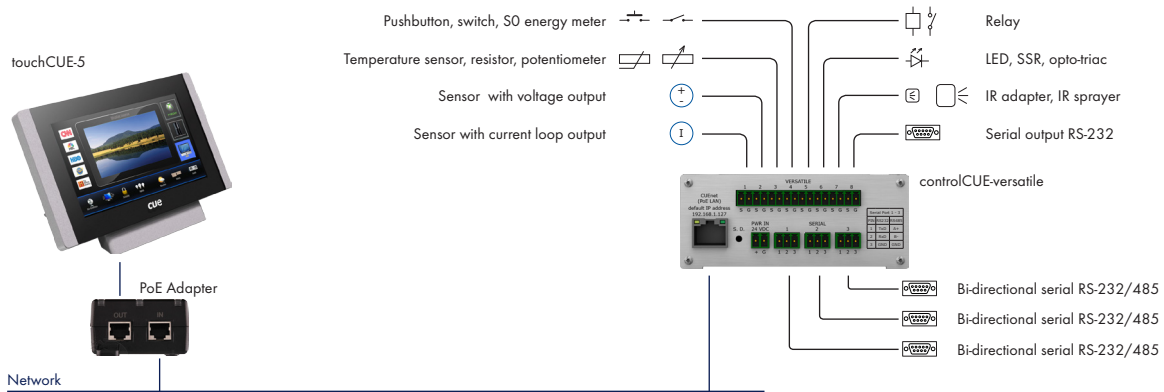
- Control ports - 8x versatile, 3x bi-directional serial RS-232/485
- Wired Ethernet connection
- Power supply 24 VDC or Power over Ethernet (PoE)
- Unified small factor aluminium enclosure

Description

This control package allows to create cost effective complete control solution based on wired touch panel and compact controller. The touchCUE-5 is wired tabletop touch panel offering clean modern design with edge-to-edge front glass and sleek aluminium body with tabletop stand. It is ideal front-end for any tabletop applications. The 4.3" IPS touch screen display offers resolution 800 x 480 pixels and it produces stunning true color images. Touch panel has projected capacitive touch overlay. Single cable Ethernet connection provides easy network integration. The touch panel is equipped with Power over Ethernet (PoE) technology enabling an Ethernet network cable to deliver both data and power.

The ultra-compact controller controlCUE-versatile is fully functional IP controller with eight versatile ports and three bi-directional serial RS-232/485 control ports. Fully compatible with CUE touch panels, this controller can work as standalone device. The versatile port is a new type of control port and depending on the application each versatile port can be used as an input or output. Single cable Ethernet connection provides easy network integration and the controller is equipped with Power over Ethernet (PoE) technology enabling an Ethernet network cable to deliver both data and power.

Application Diagram



Box Contents

- Tabletop touch panel touchCUE-5
- Controller controlCUE-versatile
- Connector set
- Ethernet cables
- 2x IR Adapter /i
- Power supply with PoE injector
- Power supply 24 VDC / 24 W
- Cleaning tissue
- Declaration of Conformity
- Data Sheet
- Cue System Connector Wiring Sheet

Order Information

Product code ST0069

Specifications

For device specifications see appropriate product cut sheets.