

inputCUE-W

CS0334

Description

The inputCUE-W connects up to eight contacts (for example wall switches) and one temperature sensor Pt1000 to a control system. The unit also has eight digital outputs suitable for connection of indication LEDs. The enclosure allows simple installation into standard European electrical wall box. Addressing of the unit is set by DIP switches and CUEwire (RS-485) activity is indicated on LED placed on PCB.

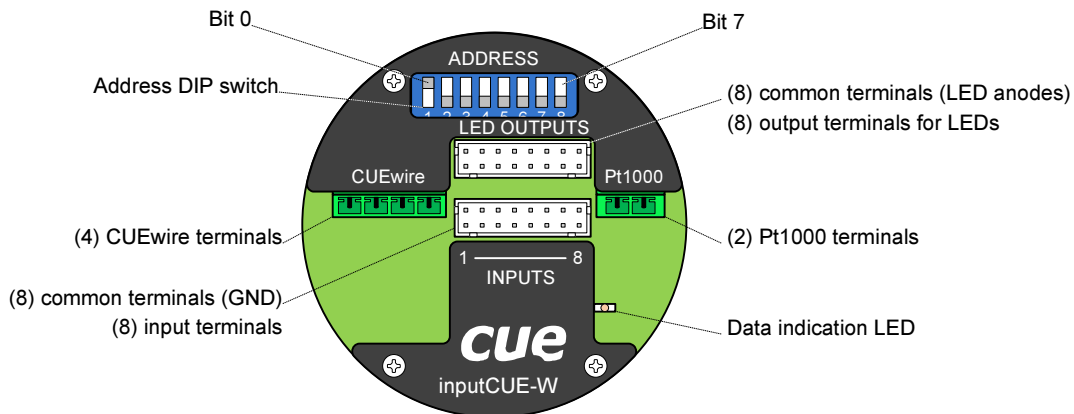
Addressing

The ADDRESS of the inputCUE-W is binary coded by DIP switch.

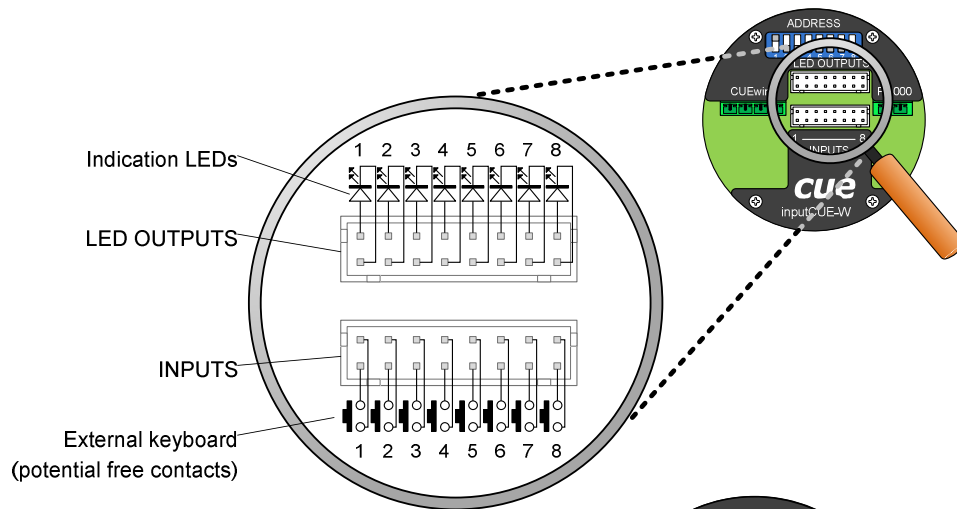
The ADDRESS can be set in the range 1 to 207.

Default ADDRESS is 1.

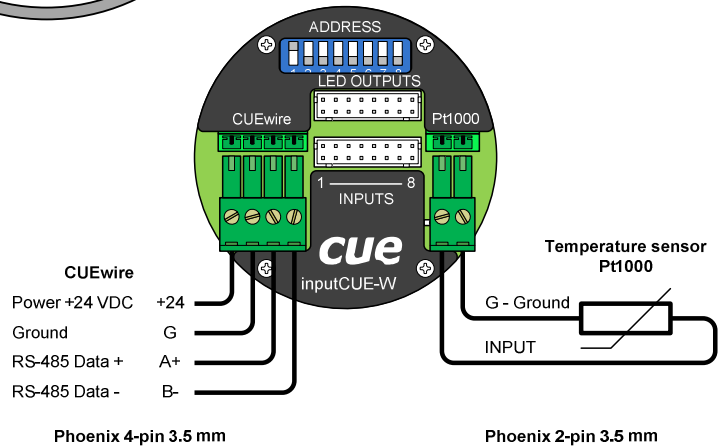
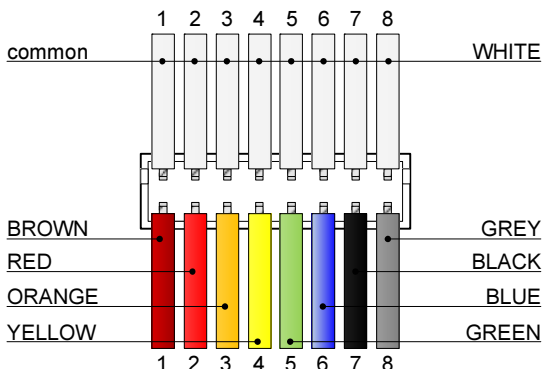
inputCUE-W front view



Connecting



Cable colours



cue