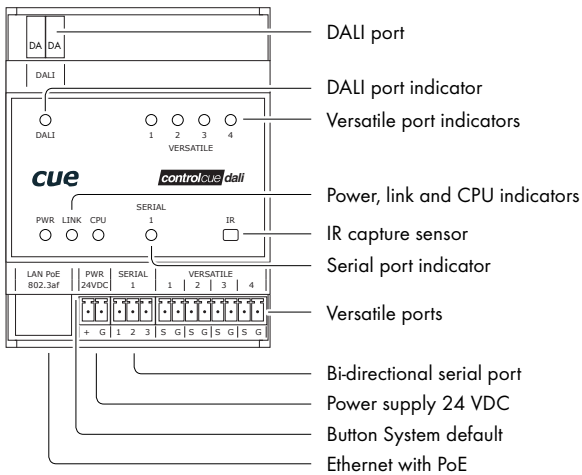


# controlCUE-dali-d

CS0454



## Description



## Connector Pinouts

### PWR 24 VDC

Pin	Description
+	Power +24 VDC
G	Ground

### VERSATILE 1 - 4

Pin	Description
1 S	Versatile 1 - signal
1 G	Ground
2 S	Versatile 2 - signal
2 G	Ground
3 S	Versatile 3 - signal
3 G	Ground
4 S	Versatile 4 - signal
4 G	Ground

### SERIAL 1

Pin	RS-232	RS-485
1	TxD	A+
2	RxD	B-
3	Ground	Ground

### DALI

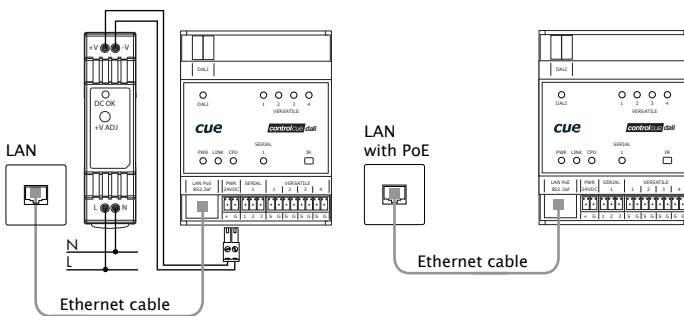
Pin	Description
DA	DALI signal
DA	DALI signal

## Power Supply and LAN Connection

### Power Supply 24 VDC

(delivered DIN rail power supply)

### PoE Power Supply

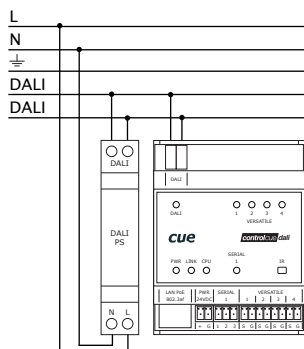


## Versatile Ports Usage

### Input modes

Digital input	Adjustable threshold <ul style="list-style-type: none"> <li>High sensitivity binary 0 &lt; 1.45 V, binary 1 &gt; 2.05 V</li> <li>Low sensitivity binary 0 &lt; 5.8 V, binary 1 &gt; 8.2 V</li> </ul> Input impedance >100 kΩ Adjustable digital filter
Digital pulse counter	Adjustable threshold as above Input impedance as above Pulse length min. 1 ms, max. frequency 500 Hz Max. number of pulses 2 147 483 647 (Long) Adjustable digital filter
Voltage input	Range 0 ÷ 2.5 VDC, 0 ÷ 10 VDC, auto Input impedance >100 kΩ Resolution 12-bit Adjustable digital filter Accuracy ±0.1 % of reading, ±0.1 % of range (0.1 ÷ 10 V, digital filter applied)
Resistance input	Range 2 kΩ, 20 kΩ, 200 kΩ, auto Resolution 12-bit Adjustable digital filter Accuracy (digital filter applied) <ul style="list-style-type: none"> <li>100 Ω ÷ 800 Ω ±3 % of reading, ±0.1 % of range</li> <li>800 Ω ÷ 20 kΩ ±0.3 % of reading, ±0.1 % of range</li> <li>20 kΩ ÷ 200 kΩ ±1 % of reading, ±0.1 % of range</li> </ul>

## DALI Port Usage



The port does not provide DALI power supply which must be ensured by external DALI power source.

DALI units are equipped with a diode bridge so that devices can be wired regardless of the cable polarity.

## System Default Setup

When System Default button is pressed, the system default function is performed and setup is as follows

- IP address: 192.168.1.127
- IP Mask: 255.255.255.0
- Password: Empty (no input required)

## User Manual

Complete user manual can be downloaded here:  
[http://www.cuesystem.com/user\\_manuels.aspx](http://www.cuesystem.com/user_manuels.aspx)

### Output modes

Digital output	Max. sink current 200 mA / max. 30 VDC Catch diodes for use with real load
Current pullup	Current-source pull-up 12 V / 10 mA
Current pulldown	Current-source pull-down -12 V / 10 mA
IR output	Maximum IR carrier frequency 500 kHz Up to 3 original IR Adapter /i in parallel
Serial output	RS-232 Serial data baud rate 300 Bd ÷ 115 200 Bd (bps)